

Motion detector - Professional Line

IS 2140 ECO

white

EAN 4007841 034672

Article number 034672



infrared sensor
140°



max. 14 m

2000 W

2000 W max.
(LED-ready)



IP54



Sensor 90° ver.,
180° hor.



2 - 2000 lux



8 sec - 35 min



Ideal 2 m



energy saving

5 years

manufacturer's
warranty
[steinel-professional.de/garantie](https://www.steinel.de/garantie)

Function description

Simply child's play. Getting started with the classic sensor. The classic one, now with even more class. Infrared motion detector IS 2140 ECO for indoors and out, ideal for targeted detection close to buildings, 140° angle of coverage, reach up to 14 m, selectable time and twilight threshold, sensor swivels through 180° and tilts through 90° for exact adjustment of the detection zone.

IS 2140 ECO

white
 EAN 4007841 034672
 Article number 034672

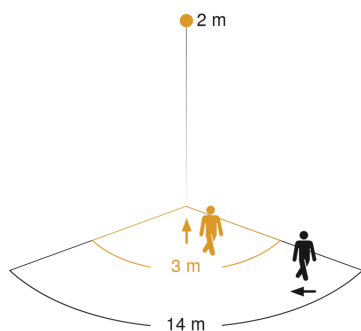


Technical specifications

Dimensions (L x W x H)	83 x 99 x 86 mm
Manufacturer's Warranty	5 years
Settings via	Potentiometers
Version	white
PU1, EAN	4007841034672
Type	Motion detectors
Application, place	Outdoors, Indoors
Application, room	outdoors, front door, all round the building, terrace / balcony, courtyard & driveway
Colour	white
Colour, RAL	9010
Installation site	wall
Installation	Surface wiring, Wall
IP-rating	IP54
Ambient temperature	-20 – 50 °C
Material	Plastic
Mains power supply	230 – 240 V / 50 – 60 Hz
Switching output 1, resistive	2000 W
Switching output 1, number of LEDs / fluorescent lamps	6 pcs.
Fluorescent lamps, electronic ballast 430 W	
Fluorescent lamps, uncorrected	500 VA
Fluorescent lamps, series-corrected	1000 VA

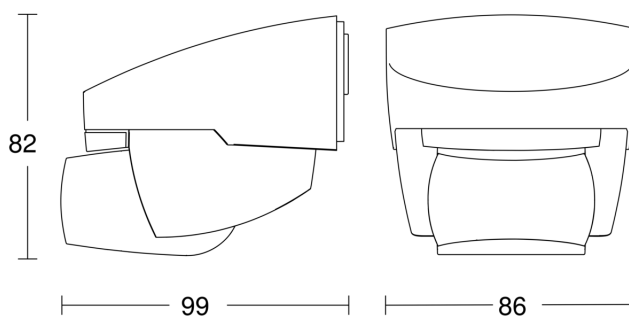
Fluorescent lamps, parallel-corrected	500 VA
LED lamps	16 W
LED lamps > 2 W	64 W
LED lamps > 8 W	64 W
Capacitive load in µF	88 µF
Sensor Technology	Passive infrared
Mounting height	1,80 – 3,00 m
Mounting height max.	3,00 m
Optimum mounting height	2 m
Detection angle	140 °
Sneak-by guard	Yes
Capability of masking out individual segments	Yes
Electronic scalability	No
Mechanical scalability	No
Reach, radial	r = 3 m (11 m ²)
Reach, tangential	r = 14 m (239 m ²)
Twilight setting	2 – 2000 lx
Time setting	8 s – 35 Min.
Basic light level function	No
Main light adjustable	No

Detection Zone



Mögliche Montagehöhe: 1,80 m – 3,00 m
 Orange: radial
 Schwarz: tangential

Dimension Drawing



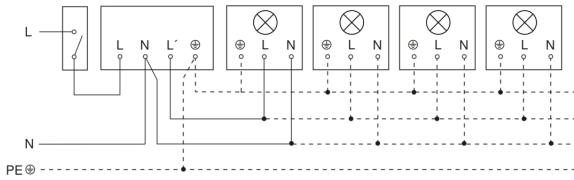
IS 2140 ECO

white

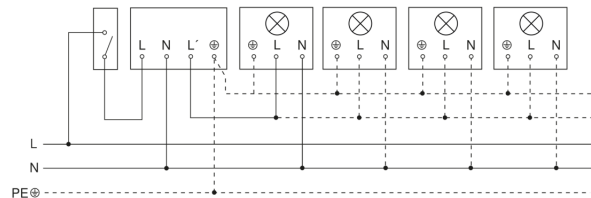
EAN 4007841 034672

Article number 034672

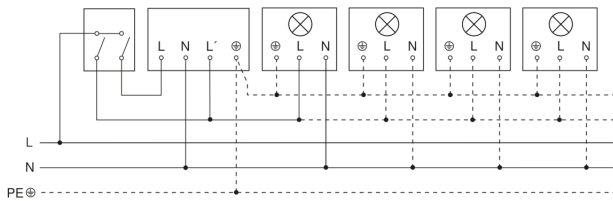
Light without neutral conductor



Light with neutral conductor



Connection using two-circuit switch for manual and automatic operation



Connection of 4-fold push-button coupler to DALI2 APC

