

ARTICULATED articc6-1959-60kg

Article number: AT_20005

Lubricant variant: Synthetic lubricants



Description :

This type of robot is based on the principle of serial kinematics. All drives and motor cables are moved along. The robot has three (3) translational and three (3) rotational degrees of freedom.

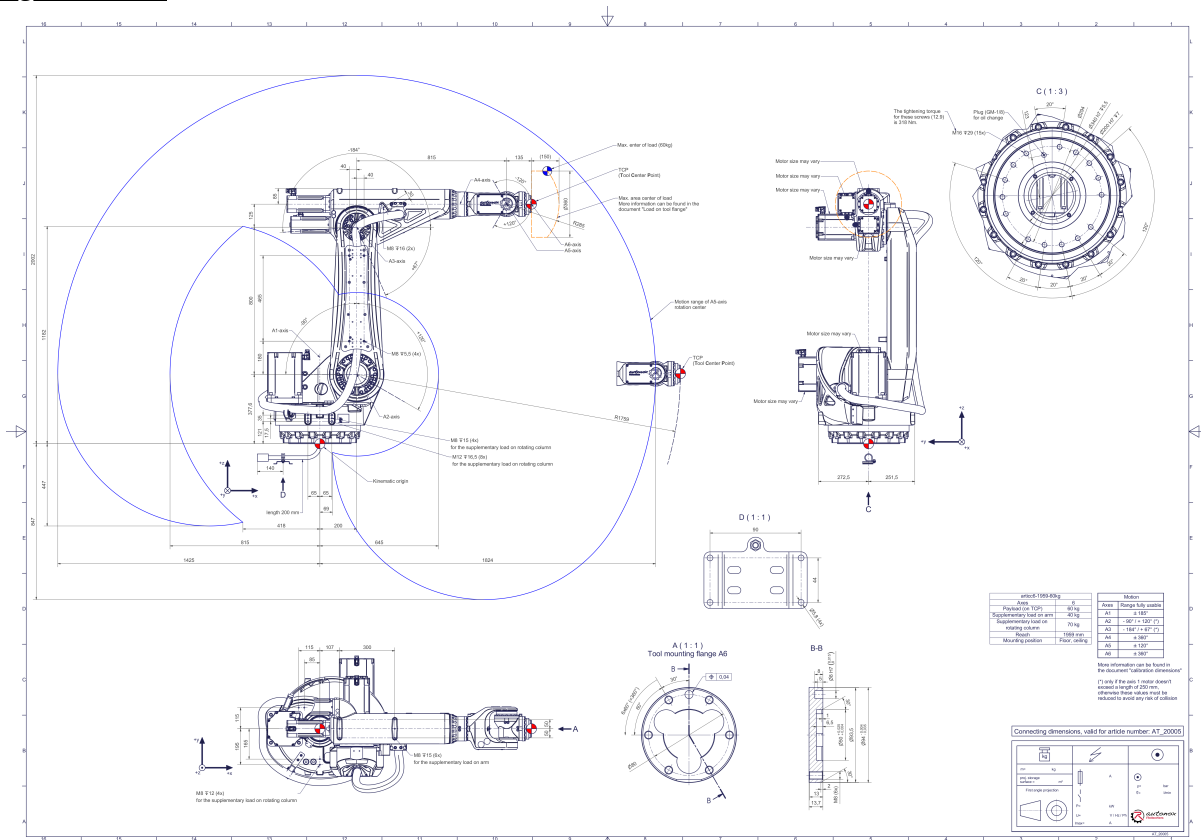
Scope of delivery:

Robot mechanics incl. gearbox (Special feature: without base frame),
Free installation of drive technology provided (including incoming goods inspection), Multi-hour, logged test run as final quality inspection,
Threaded protection caps , Transport and packing instructions

Required accessories:

Set of parts for installing the drive technology. This set consists of, for example, a servo motor adapter, servo motor cable, transmission input pinion.

Connecting dimensions:



Downloads: [Connecting dimensions \(PDF\)](#), [3D model \(STP\)](#), [3D model \(PDF\)](#)

We refer to our [General Terms of Sale and Supply](#) and [Terms of use](#).

Technical specifications:

Field of application	Standard (not hygienic)
Kinematics	Serial
Translatory Degrees of Freedom (X,Y,Z)	3
Rotational Degrees of Freedom (α, β, γ)	3
Nominal payload [kg lbs] *	60 132.3
Supplementary load on the rotating column [kg lbs]	70 154.3
Supplementary load on the arm [kg lbs]	40 88.2
Working area-reach [mm in]	1959 77.1
Lubricants of the bearings	Synthetic
Lubricants of the gearboxes	Synthetic
Cleaning	No high pressure
Protection class	IP64
Ambient temperature [°C °F]	0 to +40 +32 to +104
Relative humidity level [%]	95 (free of condensation)
Mounting position	Floor, Ceiling
Special features	The base frame is not included in the scope of delivery, i.e. the gearbox has to be attached directly to the machine frame. Advantages: Compact, rigid, inexpensive

* All given values are nominal values (nominal payload referred to a nominal performance) and can vary under realworld conditions depending on the application (tool specifications, load distances, reduction (partly) of the nominal performance when using food-grade lubricants, ...). Please consider our technical data sheets regarding the load capacity.