

ASEM 6300 Industrial Monitors, PCs, and Thin Clients

Bulletins 6181X, 6189V, 6300B, 6300M, 6300MA, 6300P, 6300PA, and 6300T

Topic	Page
Summary of Changes	2
ASEM 6300B Box PCs	3
6300B-JB1 Compact Box PCs with iClass Processors	3
6300B-EW1 Entry-Level Box PCs with Atom Class Processors	7
6300B Box PCs with iClass Processors	9
6300B Box PCs with Atom Class Processors	12
ASEM 6300P Panel PCs	16
6300P-EW1 Entry-Level Panel PCs with Atom Class Processors	16
6300P Panel PCs with iClass Processors	20
6300P Panel PCs with Celeron Processors	22
ASEM 6300T Box Thin Clients	26
6300T-JB1 Thin Clients	26
6300T-B Thin Clients	29
6181X Integrated PCs and Thin Clients for Hazardous Locations	33
ASEM 6300M Monitors	37
ASEM 6300 On-Machine PCs and Monitors	40
6300PA On-Machine PCs	40
6300MA On-Machine Monitors	42
Button Area Considerations	49
Accessories	55
6189V Industrial Keyboard and Pointing Device Accessories	55
6189X Accessories for 6181X Industrial Computers in Hazardous Locations	56
6200V Accessories	56
6300V Accessories	57
6300V On-Machine Accessories	59
Additional Resources – Document Summary	60

Rockwell Automation® offers a complete line of open architecture industrial PCs, thin clients, and monitors. This broad and adaptable portfolio allows customers to order exactly what they need to meet their specific performance requirements. This product family is a solid match for customers that need a high-performance Human Machine Interface (HMI) solution for industrial environments. By integrating completely with our ThinManager®, FactoryTalk® Optix™, FactoryTalk® View SE, and FactoryTalk View ME software, it allows for seamless assimilation within their facility.

To obtain additional information, including exact options for each product family, see [Product Selection Tools](#).

Summary of Changes

This publication contains the following new or updated information. This list includes substantive updates only and is not intended to reflect all changes.

Topic	Page
Updated processor and memory (RAM) options for 6300B-JB1 Compact Box PCs with iClass Processors	3
Updated Approximate Dimensions – 6300B Box PCs with iClass Processors information	10
Added 6300T-JB1 Thin Clients information	26
Updated Approximate Dimensions – 6300T Box Thin Clients information	30
Updated Approximate Dimensions – On-Machine PCs and Monitors	43
Updated Button Area Considerations information	Throughout
Added Guidelines for RFID and E-stop Elements	52

ASEM™ 6300B box PCs are available in multiple mounting options and processors to match your application. Pair the PCs with FactoryTalk® Optix™ software to support your HMI application. All PCs come standard with the Microsoft Windows® 10 IoT Enterprise LTSC operating system but are also available without an operating system.

ASEM 6300B and 6300P industrial computers are pre-installed with a ThinManager®-ready BIOS, which allows you to take a new computer out of the box and place it directly into your ThinManager® environment.

The 6300B box PCs are available in the following configurations:

- 6300B-JB1 compact box PCs with iClass processors
- 6300B-EW1 entry-level box PCs with Atom class processors
- 6300B box PCs with iClass processors
- 6300B box PCs with Atom Class processors

6300B-JB1 Compact Box PCs with iClass Processors

The ASEM 6300B-JB1 box PCs are compact PCs available in two mounting options and processors to match your application.

Technical Specifications

Specification		6300B-JB1AA	6300B-JB1BA
Mounting Options		Book mount DIN rail mount	
Case Material		Anodized aluminum alloy	
Protection Grade		IP20	
Processor		Intel® Celeron® 6305E 1.8 GHz, 2C/2T, 4 MB Smart Cache, 10 nm, soldered Intel® Core™ i3-1115G4E 2.20 GHz (3.90 GHz Burst), 2C/4T, 6 MB Smart Cache, 10 nm, soldered Intel® Core™ i5-1145G7E 1.50 GHz (4.10 GHz Burst), 4C/8T, 8 MB Smart Cache, 10 nm, soldered Intel® Core™ i7-1185G7E 1.80 GHz (4.40 GHz Burst), 4C/8T, 12 MB Smart Cache, 10 nm, soldered Intel® Core i3-1115GRE 2.2 GHz (3.90 GHz Burst), 2C/4T, 6 MB Smart Cache – can support in-band ECC memory Intel® Core i5-145GRE 1.5 GHz (4.10 GHz Burst), 4C/8T, 8 MB Smart Cache – can support in-band ECC memory Intel® Core i7-1185GRE 1.8 GHz (4.40 GHz Burst), 4C/8T, 12 MB Smart Cache – can support in-band ECC memory	
Chipset		Intel® Tiger Lake PCH (Platform Controller Hub), Included into processor chip (SoC)	
Video Controller		Intel® UHD Graphics integrated in Intel® Celeron®, Intel® Core™ i3 Intel® Iris® X, Graphics integrated in Intel® Core™ i5 and i7	
RAM (LPDDR4X)	Intel® Celeron®	4 GB 8 GB	
	Intel® Core™ i3	8 GB	
	Intel® Core™ i5	16 GB	
	Intel® Core™ i7	16 GB 32 GB	
	Intel® Core i3-1115GRE	8 GB	
	Intel® Core i5-145GRE	8 GB	
	Intel® Core i7-1185GRE	32 GB	
Storage	SSD M.2	1 x onboard connector for direct insertion of M.2 NVMe PCIe SSD (up to 2 TB) No storage	
Interface	LAN	4 x Ethernet 10/100/1000/2500 Mbps (Intel i226 RJ45)	
	USB	4 x USB 3.2 Gen 2 (Type A) 10 Gbps	
	Video	2 x DisplayPort++ V1.4a 4 x DisplayPort++ V1.4a and 1 x RS-232/422/485 isolated (DB9M)	
	Audio	1 x line-out audio stereo 1 x mic.-in	
TPM		Firmware TPM Discrete TPM None	
Operating System		Microsoft Windows® 10 IoT Enterprise LTSC 2021 None	

Technical Specifications (Continued)

Specification	6300B-JB1AA	6300B-JB1BA
Power Supply	24V DC (18...32V DC) isolated	
Power Supply Functions configurable from BIOS	Remote power button signal 1 x power status output signal + 1 x system-off input signal	
Battery	1 x CR2032 Internal access	

Environmental Specifications

Attribute		Values
Ambient Temperature	Operating	0...50 °C (32...122 °F)
	Storage	-20...+65 °C (-4...+149 °F)
	Nonoperating	-25...+70 °C (-13...+158 °F)
Relative humidity		20%...90% RH @ 25 °C (77 °F) noncondensing
Maximum Altitude, operating		2000 m (6562 ft)
Vibration (EN 60068-2-6:2008-02 Environmental testing - Part 2-6: Tests - Test Fc: Vibration (sinusoidal))	Frequency range	10.00...500.00 Hz
	Sweep rate	1 octave/min
	Number of sweep cycles	5/axis (56 ft 27 in.)
	Displacement	0.3048 mm (0.012 in.) p-p (10.00...57 Hz)
	Acceleration	0-p: 2.0 g (57...500.00 Hz)
Shock (En 60068-2-27:2009-05, Environmental testing - Part 2-27: Tests - Test Ea and guidance: Shock) Shape of rated mechanical stress: Half-Sine	Operating	15 g (acceleration) at 11 ms (duration)
	Nonoperating	30 g (acceleration) at 11 ms (duration)

Certifications

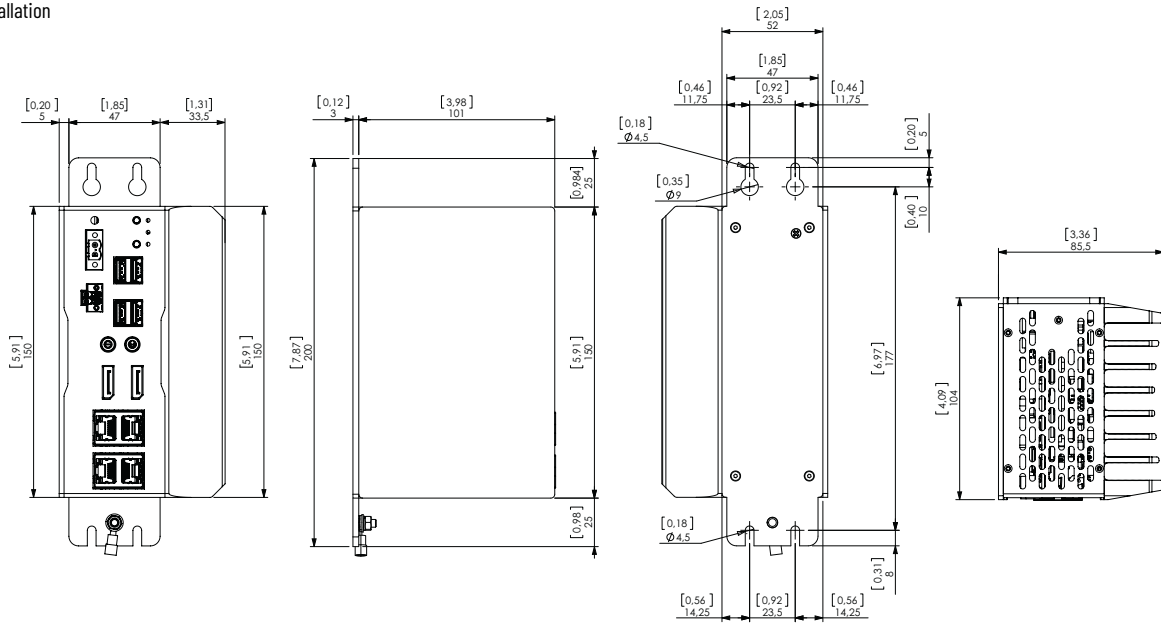
- CE (EN 61326-1, EN 61010-1, EN 61010-2- 201)
- cULus Listed (UL61010)
- Cmim (Morocco)
- KCC (Korea)
- RCM (Australia and New Zealand)
- REACH
- RoHS
- UKCA

Approximate Dimensions – 6300B-JB1

Dimensions are in millimeters (inches). Dimensions are not intended to be used for manufacturing purposes.

Figure 1 - 6300B-JB1AA

Book installation



DIN rail installation

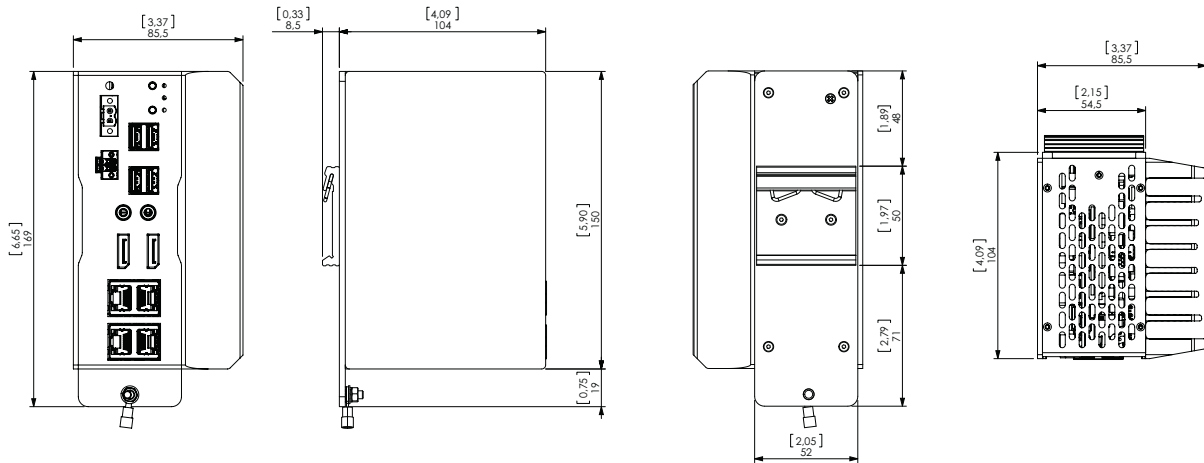
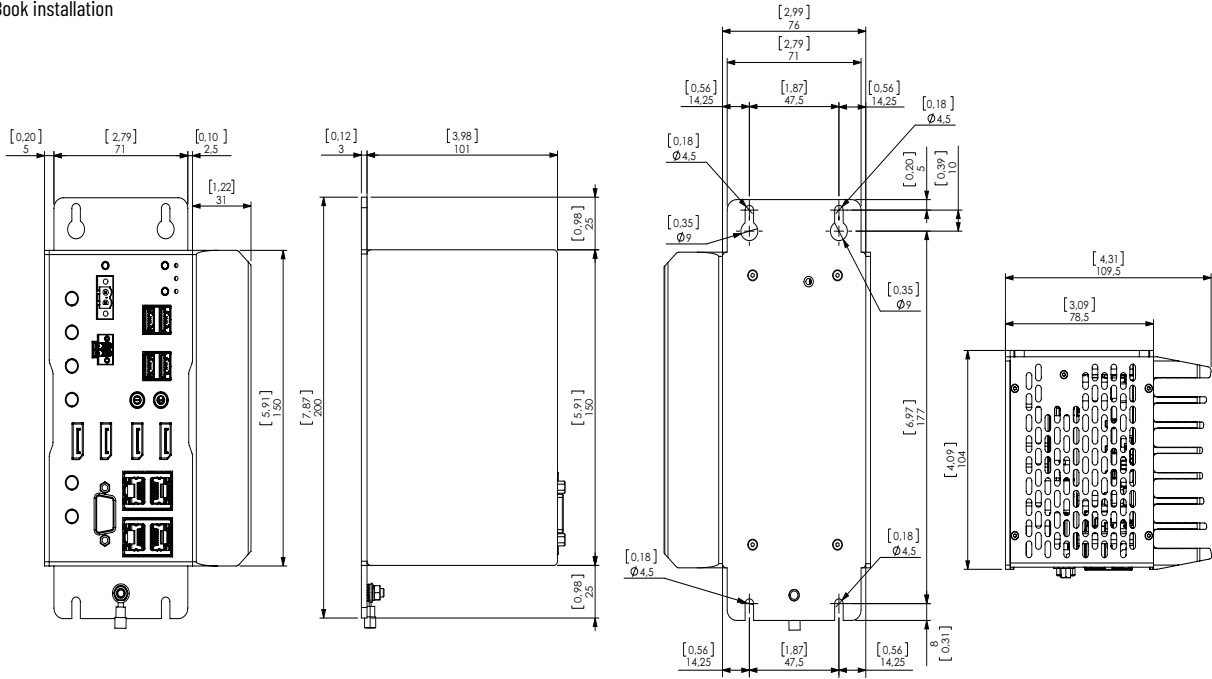
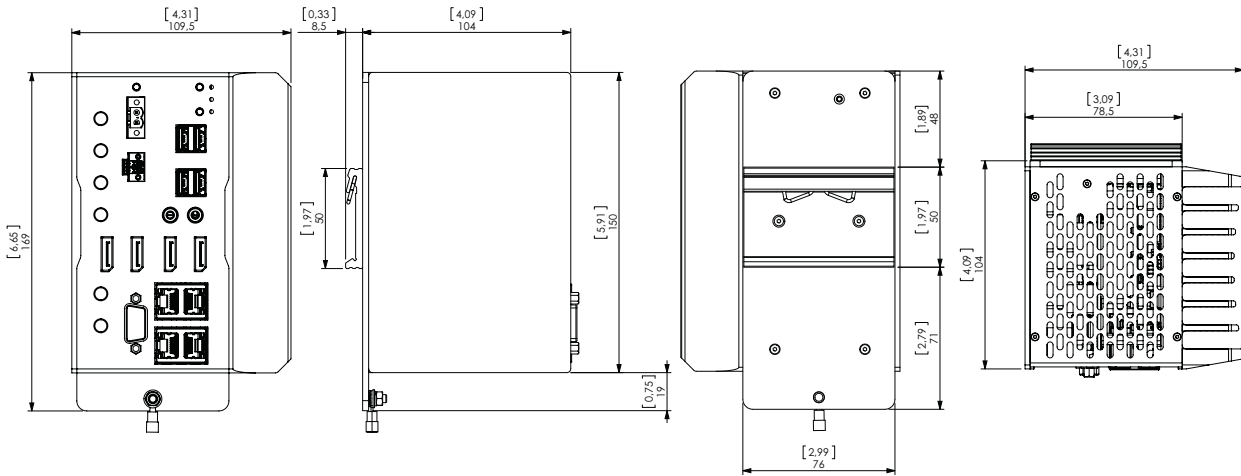


Figure 2 - 6300B-JB1BA

Book installation



DIN rail installation



6300B-EW1 Entry-Level Box PCs with Atom Class Processors

The ASEM 6300B-EW1 Box PC is a cost-effective solution that is designed to work with less-intensive applications on entry-level industrial PCs.

Technical Specifications

Specification		6300B-EW1 Options
Mounting Option		Wall mount
Case Material		Zinc-coated skin pass steel
Protection Grade		IP20
Processor		Intel Atom® x6425E 2.00 GHz (3.00 GHz Burst), 4C/4T, 1.5 MB L2 cache, 10 nm, soldered
Chipset		Intel® Elkhart Lake PCH (Platform Controller Hub) –included in processor chip (SoC)
System Configuration		SL – no communication and no expansion slot S0 – no expansion slot S1 – 1 x PCI half-length S1 – 1 x PCIe x4 half-length (x4 mechanical and x2 electrical)
Video Controller		Integrated Intel® UHD graphics
RAM (LPDDR4x)		4 GB 8 GB 16 GB
Storage		1 x bootable CFast SATA III slot onboard with external access (up to 240 GB) 1 x onboard connector for direct insertion of M.2 NVMe PCIe SSD (up to 1 TB) 1 x onboard connector for 2.5 in. SATA III SSD with internal installation kit (up to 2 TB) No storage
Interface	LAN	1 x 2.5 Gigabit Ethernet RJ45 2 x Gigabit Ethernet RJ45
	USB	4 x USB 3.2 Gen2 (Type A) 10 Gbps
	Serial	1 x RS-232/422/485 (DB9M)
Additional Com Ports 1		2 x RS-232/422/485 isolated (DB9M) 2 x USB 2.0 (Type A) 1 x 2.5 Gigabit Ethernet RJ45 + 1 x USB 2.0 (Type A)
Additional Com Ports 2		1 x 2.5 Gigabit Ethernet RJ45 1 x RVL RJ45 1 x DisplayPort++ v1.4a
TPM		Firmware TPM Discrete TPM None
Operating System		Microsoft Windows 10 IoT Enterprise LTSC 2021 None
Power		24V DC (18...32V DC) isolated
Power Supply Functions configurable from BIOS		Remote power button signal 1 x power status output signal + 1 x system-off input signal

Environmental Specifications

Specification	Value
Operating temperature	0...50 °C (32...122 °F)
Storage temperature	-10...+60 °C (14...140 °F)
Relative humidity	90% (noncondensing)

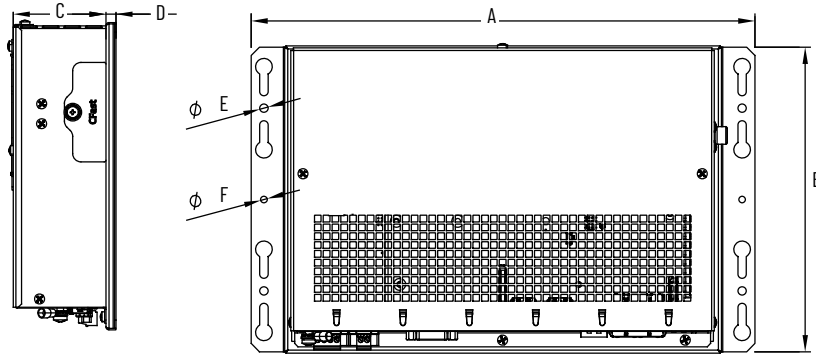
Certifications

- CE (EN 61326-1, EN 61010-1, EN 61010-2- 201)
- cULus Listed (UL61010)
- Cmim (Morocco)
- KCC (Korea)
- RCM (Australia and New Zealand)
- REACH
- RoHS
- UKCA

Approximate Dimensions – 6300B-EW1

Dimensions are in millimeters (inches). Dimensions are not intended to be used for manufacturing purposes.

Figure 3 - 6300B-EW1



System Configuration

Reference	Configuration
A	SL – no communication and no expansion slot
B	SO – no expansion slot
C	S1 – 1 x PCI half-length S1 – 1 x PCIe x4 half-length (x4 mechanical and x2 electrical)

System Configuration	Dimension [mm (in.)]					
	A	B	C	D	E	F
A	303.4 (11.94)	183.4 (7.22)	28.4 (1.12)	6.0 (0.24)	5.0 (0.20)	4.0 (0.16)
B			55.8 (2.20)			
C			76.8 (3.02)			

6300B Box PCs with iClass Processors

The 6300B box PCs with iClass processors are available in the following configurations:

- 6300B-BMB book mount Box PCs – fan or fanless
- 6300B-PBC wall mount fanless PCs
- 6300B-PBD wall mount PC with mechanical fan

Technical Specifications

Specification	6300B-BMB Options	6300B-PBC Options	6300B-PBD Options
Mounting Option	Book mount	Wall mount	Wall mount
Fan Selection	Fan Fanless	Fanless	Fan
Processor	Intel Core i3-7100E 2.90 GHz, 2C/4T, 3 MB Smart Cache Intel Core i5-7440EQ, 2.90 GHz (3.60 GHz Turbo), 4C/4T, 6 MB Smart Cache Intel Core i7-7820EQ 3.00 GHz (3.70 GHz Turbo), 4C/8T, 8 MB Smart Cache		Intel Core i3-7101E 3.9 GHz, 2C/4T - 3 MB Smart Cache Intel Core i5-7500, 3.40 GHz (3.80 GHz Turbo), 4C/4T, 6 MB Smart Cache Intel Core i7-7700 3.6 GHz (4.2 GHz Turbo), 4C/8T, 8 MB Smart Cache Intel Celeron® 6305E 1.8 GHz, 2C/2T, 4 MB Smart Cache
System Configuration	S2 – 2 x expansion slots and 1 x extractable storage S2 – 2 x expansion slots and no extractable storage S2 – 2 x expansion slots and 2 x extractable storage (RAID 1) S0 – No expansion and no extractable storage S0 – No expansion and 1 x extractable storage S0 – No expansion and 2 x extractable storage (RAID 1)	S1 – 1 x expansion slot S0 – No expansion and 2 slots for 2.5 in. HDD/SDD (RAID 1)	S3 – 3 x expansion slots S3 – 3 x expansion slots + 2 extractable drawers (RAID 1) S1 – 1 x expansion slot S1 – 1 x expansion slot + 2 extractable drawers (RAID 1) S0 – No expansion
Expansion Slot	2 x PCIe x4 1 x PCIe x4 and PCI half-size	1 x PCIe x4 1 x PCI half-size	1 x PCIe x16 1 x PCIe x16, 1 x PCIe x4, 1 x PCIe x1 2 x PCIe x8 + 1 x PCIe x4
RAM (2 x SODIMM DDR4-2400 modules)		4 GB 8 GB 16 GB 32 GB	
mSATA – M.2 SSD	1 x onboard connector for direct insertion of mSATA SSD (up to 480 GB) No storage		1 x onboard connector for direct insertion of M.2 NVMe PCIe SSD (up to 2 TB) No storage
CFast	1 x bootable CFast SATA III slot onboard with external access (up to 240 GB) No storage		
2.5 in. SSD	2 x 2.5 in. SATA III SSD (up to 1 TB) No storage		
Interface	LAN	4 x Ethernet 10/100/1000 Mbps RJ45	
	USB	1 x USB 3.0 front (Type A) 2 x USB 2.0 top (Type A) + 2 x USB 3.0 top (Type A)	3 x USB 3.0 (Type A) + 2 x USB 2.0 (Type A) 4 x USB 3.0 (Type A)
	Serial	1 x RS-232 (DB9M)	
	Video	1 x DVI-D single link (max resolution: 1920 x 1080 full HD)	
	Long Distance ⁽¹⁾	1 x RVL video output 2 x RVL video outputs None	
Additional Com Ports 1	1 x RS-232 non-isolated + 1 x USB 2.0 1 x RS-232 isolated + 1 x USB 2.0 2 x serial RS-232 2 x USB 2.0 None		
Additional Com Ports 2	2 x DisplayPorts None	1 x Ethernet RJ45 2 x DisplayPorts None	

Technical Specifications (Continued)

Specification	6300B-BMB Options	6300B-PBC Options	6300B-PBD Options
TPM	Firmware TPM None		
Operating System	Microsoft Windows 10 IoT Enterprise LTSC 2019 None		
Power	24V DC isolated	24V DC isolated 24V DC isolated with ATX mode	110/230V AC 24V DC isolated 110/230V AC with ATX mode 24V DC isolated with ATX mode

(1) To view or select a long-distance option in Rockwell Automation ProposalWorks™ Proposal Builder, go to the Com Port 2 option and select "None". For more information, see [ProposalWorks Proposal Builder](#).

Environmental Specifications

Specification	6300B-BMB and 6300B-PBC	6300B-PBD
Operating temperature	0...50 °C (32...122 °F) with Core i3, i5, and i7 (for 6300B-BMB with fan) processors 0...45 °C (32...113 °F) with Core i7 processor	0...50 °C (32...122 °F)
Storage temperature	-10...+60 °C (14...+140 °F)	-10...+60 °C (14...+140 °F)
Relative humidity	80% (noncondensing)	80% (noncondensing)

Certifications

- CE (EN 61326-1, EN 61010-1, EN 61010-2- 201)
- cULus Listed (UL61010)
- KCC (Korea)
- RCM
- RoHS

Approximate Dimensions – 6300B Box PCs with iClass Processors

Dimensions are in millimeters (inches). Dimensions are not intended to be used for manufacturing purposes.

Figure 4 - 6300B-BMBDNE*, 6300B-BMBDNF*, and 6300B-BMBDNG* – SO

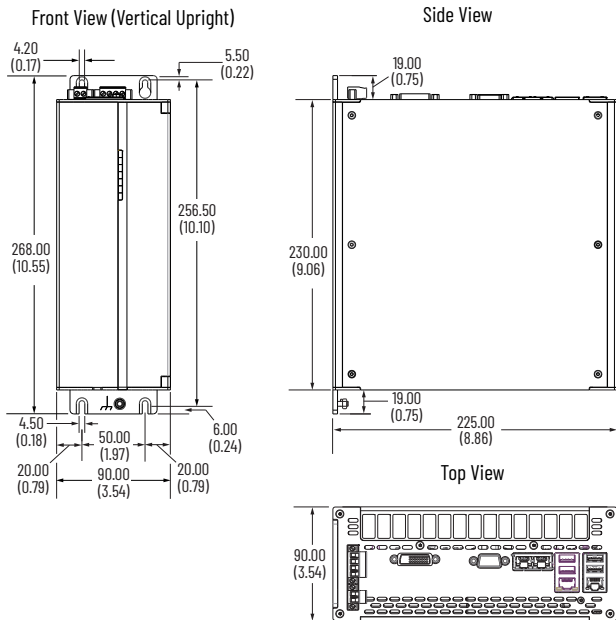


Figure 5 - 6300B-BMBE...J 6300B-BMBDNH*, 6300B-BMBDNI*, and 6300B-BMBDNJ* – S0

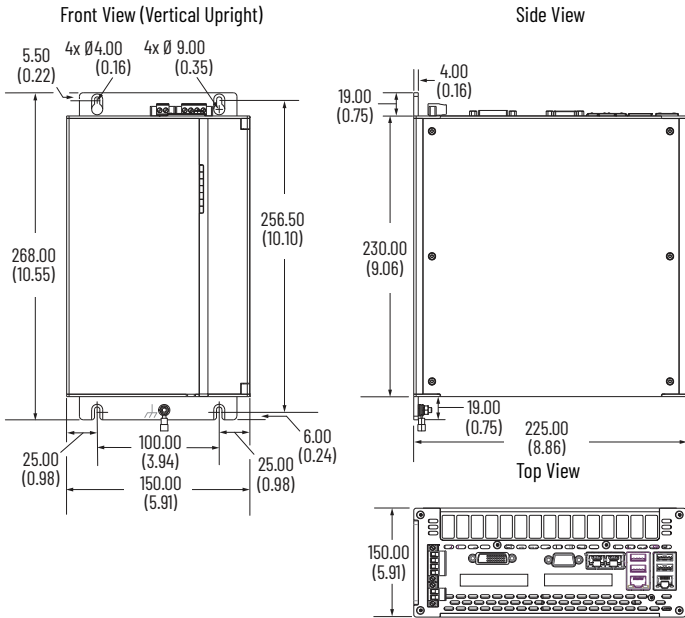
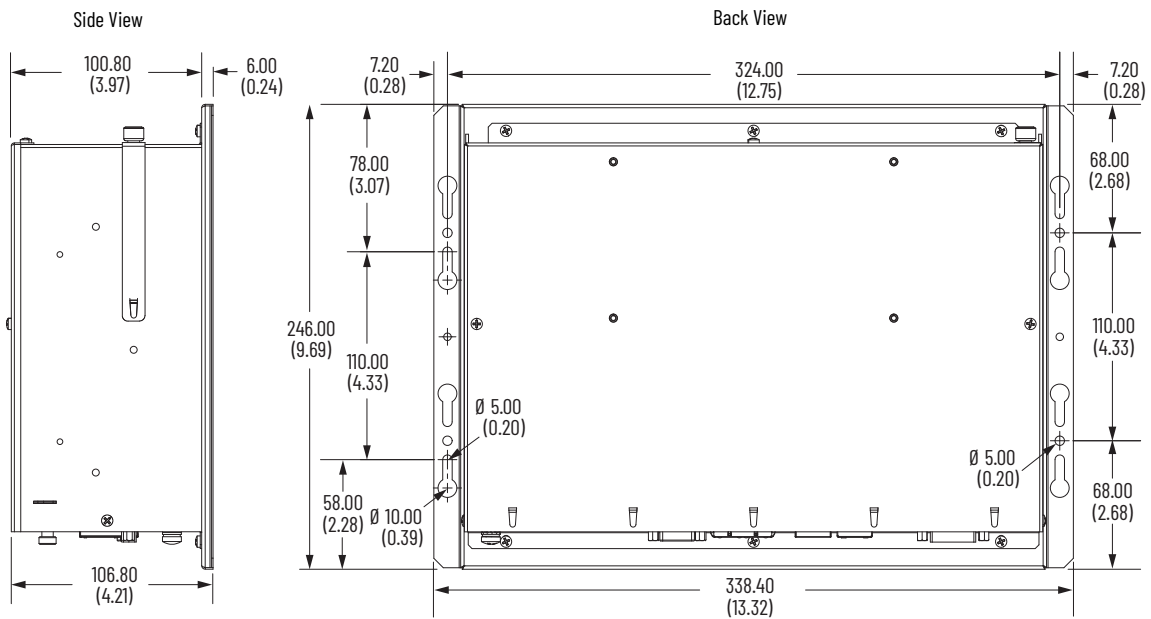


Figure 6 - 6300B-PB iClass Wall Mount Box PCs



6300B Box PCs with Atom Class Processors

The 6300B box PCs with Atom Class processors are available in the following configurations:

- 6300B-xxA compact fanless box PC
- 6300B-xxF fanless box PC
- 6300B-xxN fanless box PC with dual video outputs

Technical Specifications

Specification	6300B-xxA Options	6300B-xxF Options	6300B-xxN Options	
Mounting Option	Where xx is: BM = book mount DR = DIN rail mount			
Fan Selection	Fanless			
Processor	Intel Atom x5-E3930 1.3 GHz (1.80 GHz Burst), 2C/2T, 2 MB L2 cache, 14 nm Intel Atom x7-E3950 1.6 GHz (2.0 GHz Burst), 4C/4T, 2 MB L2 cache, 14 nm			
System Configuration	No expansion			
RAM (LP-DDR4 - 2400 soldered)	4 GB 8 GB			
Interface	LAN	2 x Gigabit Ethernet RJ45	4 x Gigabit Ethernet RJ45	2 x Gigabit Ethernet RJ45
	USB	2 x USB 3.0 (Type A)	4 x USB 3.0 (Type A)	
	Serial	-		1 x RS-232/422/485 (DB9M)
	Video	1 x DisplayPort++V1.2		2 x DisplayPort++V1.2
	Audio	-		Standard 3.5 mm audio output jack
	Digital Input	-	2 x Digital Input (0...24V isolation 500V)	-
	Digital Output	-	2 x Digital Output (N. O. max 200 mA 24V DC)	-
M.2 SSD	1 x onboard connector for direct insertion of M.2 SSD (up to 480 GB) No storage			
Operating System	Microsoft Windows 10 IoT Enterprise LTSC 2019 None			
TPM	Firmware TPM None			
Power	24V DC isolated			

Environmental Specifications

Specification	Value
Operating temperature	0...50 °C (32...122 °F)
Storage temperature	-10 °C...+60 °C (14...140 °F)
Relative humidity	80% (noncondensing)

Certifications



- CE (EN 61326-1, EN 61010-1, EN 61010-2- 201)
- cULus Listed (UL61010)
- KCC (Korea)
- RCM
- RoHS
- UKCA

For compliance in India, the following catalog numbers are available with BIS certification:

- 6300B-BMBDNH-7EDCW19NCNDNN-NN1S
- 6300B-PBCDNB-7EDBW19NCNDNN-NN1S
- 6300B-BMBDNH-3CBCW19NCNBNN-NN1S
- 6300B-BMBDNH-7BNCNNNNCNNNN-NN1S
- 6300B-PBCDNB-3CBBW19NCNBNN-NN1S
- 6300B-PBCDNB-7BNBNNNNCNNNN-NN1S

The 6300B-xxN box PCs have these additional hazardous location certifications:

Location Categories for Hazardous Locations

Region	Rating	Temperature Range
United States	Class I Division 2, Groups A, B, C, D T4	Storage: -20 °C ≤ T _a ≤ +60 °C (-4 °F ≤ T _a ≤ +140 °F)
	Class I Zone 2, IIC, T4	
Canada	Class I Division 2, Groups A, B, C, D T4	
	Class I Zone 2, IIC, T4	
Europe (ATEX)	 II 3 G, Ex ec IIC T4 Gc	Operating: 0...50 °C (32...122 °F)
United Kingdom (UK)	 II 3 G, Ex ec IIC T4 Gc	

For compliance in China, the following 6300B-xxN catalog numbers are available without ATEX certification:

- 6300B-DRNDNA-AB8ANNNNNNNN-NN1S-C
- 6300B-DRNDNA-AB7AW19NNNNNN-NN1S-C
- 6300B-DRNDNA-AB8AW19NNNNNN-NN1S-C
- 6300B-DRNDNA-AC9AW19NNNNNN-NN1S-C
- 6300B-DRNDNA-ACOAW19NNNNNN-NN1S-C
- 6300B-DRNDNA-BB7AW19NNNNNN-NN1S-C
- 6300B-DRNDNA-ACOANNNNNNNN-NN1S-C
- 6300B-BMNDNA-AB7AW19NNNNNN-NN1S-C
- 6300B-BMNDNA-AB8AW19NNNNNN-NN1S-C
- 6300B-BMNDNA-AC9AW19NNNNNN-NN1S-C
- 6300B-BMNDNA-ACOAW19NNNNNN-NN1S-C
- 6300B-BMNDNA-BB7AW19NNNNNN-NN1S-C
- 6300B-BMNDNA-ACOANNNNNNNN-NN1S-C

Approximate Dimensions – 6300B Box PCs with Atom Class Processors

Dimensions are in millimeters (inches). Dimensions are not intended to be used for manufacturing purposes.

Figure 7 - 6300B-BMA

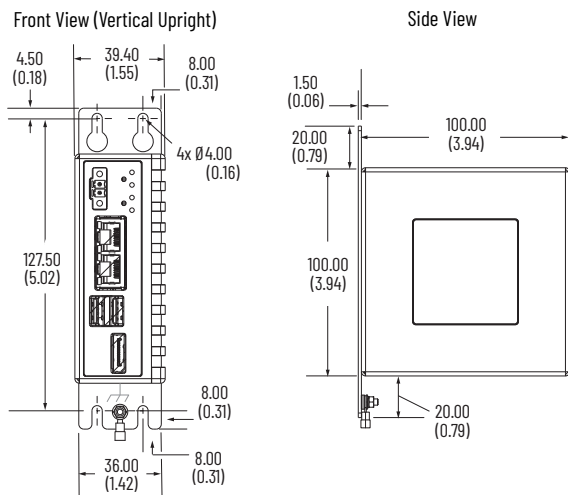


Figure 8 - 6300B-DRA

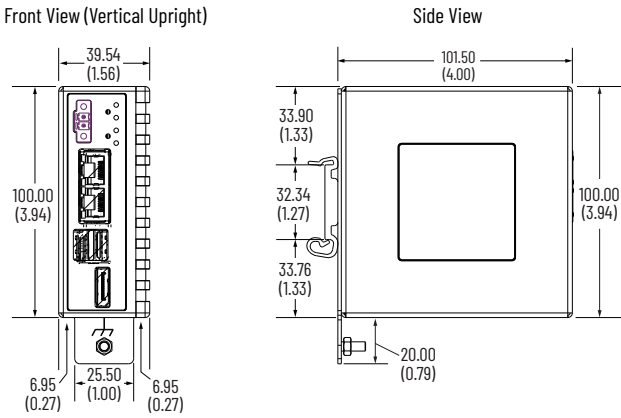


Figure 9 - 6300B-BMF

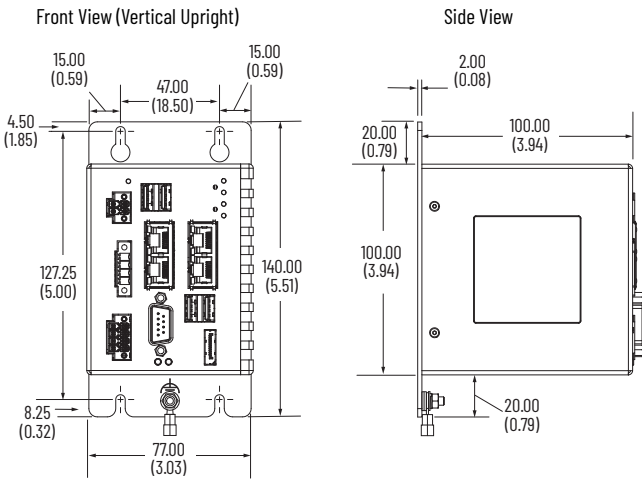


Figure 10 - 6300B-BMN

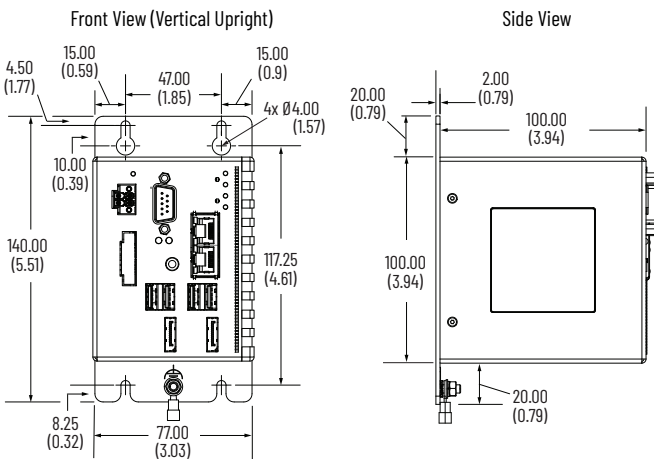


Figure 11 - 6300B-DRF

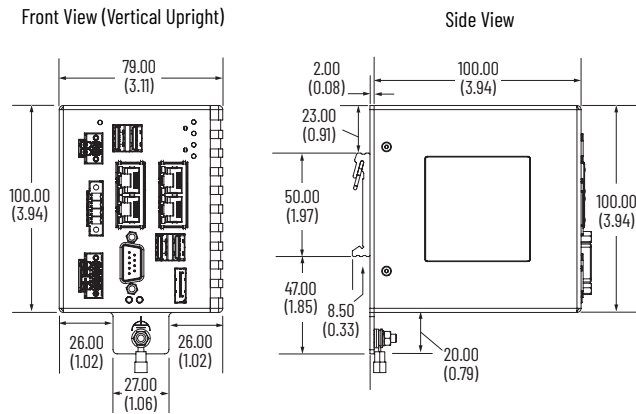
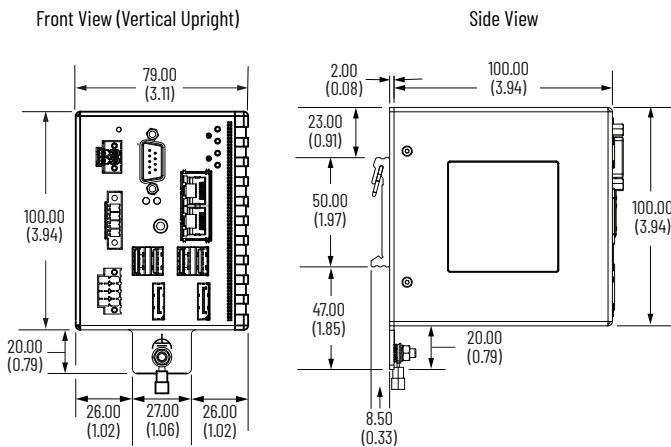


Figure 12 - 6300B-DRN



Additional Resources

These documents contain additional information concerning related products from Rockwell Automation. You can view or download publications at rok.auto/literature.

Resource	Description
6300B-EW1 Box PC and 6300P-EW1 Panel PC User Manual, publication 6300-UM003	Provides information on how to install, connect, operate, and troubleshoot 6300B-EW1 Box PCs and 6300P-EW1 Panel PCs.
ASEM 6300B Book Mount Box PCs and 6300T Book Mount Box Thin Clients User Manual, publication 6300B-UM001	Provides information on how to install, connect, operate, and troubleshoot ASEM 6300B-BMA and 6300B-BMB box PCs, and 6300T-BAX1 thin clients.
ASEM 6300B Wall Mount Box PCs User Manual, publication 6300B-UM002	Provides information on how to install, connect, operate, and troubleshoot ASEM 6300B-PBC and 6300B-PBD wall mount box PCs.
ASEM 6300B Compact Box PC User Manual, publication 6300B-UM004	Provides information on how to install, connect, operate, and troubleshoot ASEM 6300B-JB1 Compact Box PCs.
ASEM 6300B-EW1 and 6300P-EW1 Entry Level Industrial Computers Installation Instructions, publication 6300-IN002	Provides installation instructions for Bulletins 6300B - 6300P, Family EW1.
ASEM 6300B Box PCs and 6300T Thin Clients, publication 6300B-IN001	Provides installation instructions for ASEM 6300B-xxA, 6300B-BMB, 6300B-xxF, 6300B-xxN, 6300T-BA box industrial PCs and 6300T-BB thin clients.
ASEM 6300B Wall Mount Box PC Installation Instructions, publication 6300B-IN002	Provides installation instructions for 6300B-PBCx and 6300B-PBDx.
6300B Machine Mount Box PCs Installation Instructions, publication 6300B-IN003	Provides installation instructions for 6300B-MM.
ASEM 6300B-JB1 Compact Box PC, publication 6300B-IN004	Provides installation instructions for Bulletin 6300B, Family JB1.
ProposalWorks™ configuration software, rok.auto/systemtools	Helps configure complete, valid catalog numbers and build complete quotes based on detailed product information.
Product Certifications website, rok.auto/certifications	Provides declarations of conformity, certificates, and other certification details.

The ASEM™ 6300P panel PCs can handle complex industrial applications and offer touchscreen technologies. With IP65/IP66 environmental protection (model-dependent), the ASEM 6300P panel PC is an excellent match for washdown applications such as food processing and life sciences. The fanless construction also helps to ensure low-maintenance operation while enhancing system longevity.

The 6300P panel PCs are available in the following configurations:

- 6300P-EW1 entry-level panel PC with Atom class processors
- 6300P panel PC with iClass processors
- 6300P panel PC with Celeron processors

6300P-EW1 Entry-Level Panel PCs with Atom Class Processors

The ASEM 6300B-EW1 panel PC is a cost-effective solution that is designed to work with less-intensive applications on entry-level industrial PCs.

Technical Specifications

Specification		6300P-EW1	
LED back-lit TFT LCD		12.1 in./1280 x 800 (16:10) 15.6 in./1920 x 1080 (16:9) 18.5 in./1920 x 1080 (16:9) 21.5 in./1920 x 1080 (16:9) 24 in./1920 x 1080 (16:9)	10.4 in./800 x 600 (4:3) 12.1 in./1024 x 768 (4:3) 15.0 in./1024 x 768 (4:3) 17 in./1280 x 1024 (5:4) 19 in./1280 x 1024 (5:4)
Front Panel	Design	Aluminum frame (AF) Glass (GL) Stainless-steel (SR)	Aluminum frame (AF) Aluminum TrueFlat (AT)
	Touchscreen	Resistive 5-wire P-CAP multi-touch Resistive 5-wire	Resistive 5-wire
	Logo	Allen-Bradley® No logo	
Mounting Option		Panel mount	
Case Material		Zinc-coated skin pass steel	
Protection Grade	IP rating	IP65 - frontal IP69K - frontal	IP65 - frontal
	NEMA rating	UL Type 1, 4 x – indoor only UL Type 1, 4 x – indoor only and 12	UL Type 1, 4 x – indoor only and 12
Processor		Intel Atom® x6425E 2.00 GHz (3.00 GHz Burst), 4C/4T, 1.5 MB L2 cache, 10 nm, soldered	
Chipset		Intel® Elkhart Lake PCH (Platform Controller Hub) –included in processor chip (SoC)	
System Configuration		SL – no communication and no expansion slot S0 – no expansion slot S1 – 1 x PCI half-length S1 – 1 x PCIe x4 half-length (x4 mechanical and x2 electrical)	
Video Controller		Integrated Intel® UHD graphics	
RAM (LPDDR4x)		4 GB 8 GB 16 GB	
Storage		1 x bootable CFast SATA III slot onboard with external access (up to 240 GB) 1 x onboard connector for direct insertion of M.2 NVMe PCIe SSD (up to 1 TB) 1 x onboard connectors for 2.5 in. SATA III SSD with internal installation kit (up to 2 TB)	
Interface	LAN	1 x 2.5 Gigabit Ethernet RJ45 2 x Gigabit Ethernet RJ45	
	USB	4 x USB 3.2 Gen2 (Type A) 10 Gbps	
	Front USB	–	1 x USB 2.0 (Type A), protected
	Serial	1 x RS-232/422/485 (DB9M)	
Additional Com Ports 1		2 x RS-232/422/485 isolated (DB9M) 2 x USB 2.0 (Type A) 1 x 2.5 Gigabit Ethernet RJ45 + 1 x USB 2.0 (Type A)	

Technical Specifications (Continued)

Specification	6300P-EW1
Additional Com Ports 2	1 x 2.5 Gigabit Ethernet RJ45 1 x remote video link (RVL) – RJ45 1 x DisplayPort++ v1.4a
TPM	Firmware TPM Discrete TPM None
Operating System	Microsoft Windows® 10 IoT Enterprise LTSC 2021 None
Power	24V DC (18...32V DC) isolated
Power Supply Functions configurable from BIOS	Remote power button signal 1 x power status output signal + 1 x system-off input signal

Environmental Specifications

Specification	Value
Operating temperature	0...50 °C (32...122 °F)
Storage temperature	-10...+60 °C (14...140 °F)
Relative humidity	20...90% (noncondensing)

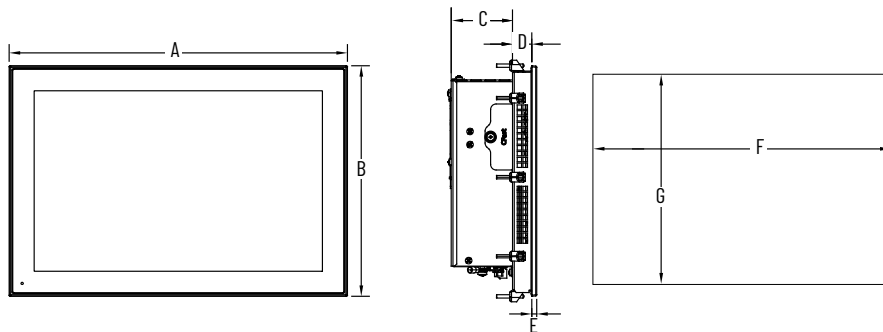
Certifications

- CE (EN 61326-1, EN 61010-1, EN 61010-2- 201)
- cULus Listed (UL61010)
- Cmim (Morocco)
- KCC (Korea)
- RCM (Australia and New Zealand)
- REACH
- RoHS
- UKCA

Approximate Dimensions – 6300P-EW1

Dimensions are in millimeters (inches). Dimensions are not intended to be used for manufacturing purposes.

Figure 13 - 6300P-EW1



Bezel Design

Reference	Material	Touch Screen
A	Aluminum frame	Resistive
B	TrueFlat aluminum	Resistive
C	Aluminum and glass	Capacitive
D	Stainless-steel	Resistive
E	Stainless-steel	Capacitive

System Configuration

Reference	Configuration
A	SL – no communication and no expansion slot
B	S0 – no expansion slot
C	S1 – 1 x PCI half-length S1 – 1 x PCIe x4 half-length (x4 mechanical and x2 electrical)

Display Size [in.]	Catalog Number	Aspect Ratio	Bezel Design	System Config.	Dimensions [mm (in.)]					Cutout [mm (in.)]	
					A	B	C	D	E	F	G
10.4	6300P-EW110D	4:3	A B	A	300.0 (11.81)	245.0 (9.64)	28.4 (1.11)	18.8 (0.74)	5.0 (0.19)	280.0 (11.02)	225.0 (8.85)
				B			55.8 (2.19)				
				C			76.8 (3.02)				
12.1	6300P-EW112E	4:3	A B	A	335.0 (13.18)	270.0 (10.62)	28.4 (1.11)	18.8 (0.74)	5.0 (0.19)	315.0 (12.40)	250.0 (9.84)
				B			55.8 (2.19)				
				C			76.8 (3.02)				
15.0	6300P-EW115E	4:3	A B	A	370.0 (14.56)	295.0 (11.61)	28.4 (1.11)	18.8 (0.74)	6.0 (0.23)	370.0 (14.56)	295.0 (11.61)
				B			55.8 (2.19)				
				C			76.8 (3.02)				
17.0	6300P-EW117G	5:4	A B	A	455.0 (17.91)	355.0 (13.97)	28.4 (1.11)	20.8 (0.81)	6.0 (0.23)	435.0 (17.12)	335.0 (13.18)
				B			55.8 (2.19)				
				C			76.8 (3.02)				
19.0	6300P-EW119G	5:4	A B	A	490.0 (19.29)	388.0 (15.27)	28.4 (1.11)	22.8 (0.89)	6.0 (0.23)	470.0 (18.50)	368.0 (14.48)
				B			55.8 (2.19)				
				C			76.8 (3.02)				
12.1	6300P-EW112F	16:10	A	A	308.0 (12.12)	210.0 (8.26)	28.4 (1.11)	17.5 (0.68)	4.5 (0.17)	300.0 (11.81)	202.0 (7.95)
				B			55.8 (2.19)				
				C			-				
			D	A	324.0 (12.75)	226.0 (8.89)	28.4 (1.11)	17.5 (0.68)	5.2 (0.20)	300.0 (11.81)	202.0 (7.95)
				B			55.8 (2.19)				
				C			-				
			B	A	308.0 (12.12)	210.0 (8.26)	28.4 (1.11)	17.5 (0.68)	4.5 (0.17)	300.0 (11.81)	202.0 (7.95)
				B			55.8 (2.19)				
				C			-				
15.6	6300P-EW115L	16:9	A C	A	395.5 (15.57)	245.0 (9.64)	28.4 (1.11)	24.8 (0.97)	6.0 (0.23)	387.5 (15.25)	237.5 (9.35)
				B			55.8 (2.19)				
				C			76.8 (3.02)				
			D	A	411.0 (16.18)	260.0 (10.23)	28.4 (1.11)	17.5 (0.68)	5.2 (0.20)	387.5 (15.25)	237.5 (9.35)
				B			55.8 (2.19)				
				C			76.8 (3.02)				
18.5	6300P-EW118L	16:9	A C	A	461.0 (18.14)	282.0 (11.10)	28.4 (1.11)	25.1 (0.98)	6.0 (0.23)	453.0 (17.83)	274.5 (10.80)
				B			55.8 (2.19)				
				C			76.8 (3.02)				
			D	A	476.0 (18.74)	297.0 (11.69)	28.4 (1.11)	17.5 (0.68)	5.2 (0.20)	453.0 (17.83)	274.5 (10.80)
				B			55.8 (2.19)				
				C			76.8 (3.02)				
21.5	6300P-EW121L	16:9	A C	A	528.0 (20.78)	319.5 (12.57)	28.4 (1.11)	25.0 (0.98)	6.0 (0.23)	520.0 (20.47)	312.0 (12.28)
				B			55.8 (2.19)				
				C			76.8 (3.02)				
			D	A	544.0 (21.41)	334.0 (13.14)	28.4 (1.11)	17.5 (0.68)	5.2 (0.20)	520.0 (20.47)	312.0 (12.28)
				B			55.8 (2.19)				
				C			76.8 (3.02)				

(Continued)

Display Size [in.]	Catalog Number	Aspect Ratio	Bezel Design	System Config.	Dimensions [mm (in.)]					Cutout [mm (in.)]	
					A	B	C	D	E	F	G
24.0	6300P-EW124L	16:9	A C	A	584.0 (22.99)	352.0 (13.85)	28.4 (1.11)	25.0 (0.98)	6.0 (0.23)	576.0 (22.67)	344.5 (13.56)
				B			55.8 (2.19)				
				C			76.8 (3.02)				
			D	A	599.0 (23.58)	367.0 (14.44)	28.4 (1.11)	23.5 (0.92)	5.2 (0.20)	576.0 (22.67)	344.5 (13.56)
				B			55.8 (2.19)				
				C			76.8 (3.02)				

6300P Panel PCs with iClass Processors

The ASEM 6300P panel PCs with iClass processors are available in the following configurations:

- 6300P-xxxA widescreen panel PCs with iClass processors
- 6300P-xxxB standard resolution panel PCs with iClass processors
- 6300P-xxxJ stainless-steel widescreen panel PCs with iClass processors

Technical Specifications

Specification		6300P-xxxA Options for Widescreen Panel PCs with iClass Processors	6300P-xxxA Options for Widescreen Panel PCs with iClass Processors and RAID	6300P-xxxB Options	6300P-xxxJ Options
Screen Size		Where xxx is: 156 = 15.6 in. 185 = 18.5 in. 215 = 21.5 in. 240 = 24 in.	Where xxx is: 156 = 15.6 in. 215 = 21.5 in.	Where xxx is: 121 = 12.1 in. 150 = 15 in. 170 = 17 in. 190 = 19 in.	Where xxx is: 121 = 12.1 in.
Resolution		16:9 1920 x 1080		4:3 1024 x 768 5:4 1280 x 1024	16:9 1920 x 1080
Front Panel	Design	Aluminum Aluminum and glass TrueFlat		Aluminum	Stainless-steel
	Touchscreen	Standard single touch (resistive) Multi-touch (PCAP)	Multi-touch (PCAP)	Standard single touch (resistive)	Standard single touch (resistive)
Mounting Option		Panel			
Fan Selection		Fanless			
Processor		Intel Core i3-7100E 2.9 GHz, 2C/4T, 3 MB Smart Cache, soldered Intel Core i5-7440EQ, 2.90 GHz (3.60 GHz Turbo), 4C/4T, 6 MB Smart Cache Intel Core i7-7820EQ 3.0 GHz (3.7 GHz Turbo), 4C/8T, 8 MB Smart Cache	Intel Core i5-7440EQ, 2.90 GHz (3.60 GHz Turbo), 4C/4T, 6 MB Smart Cache	Intel Core i3-7100E 2.9 GHz, 2C/4T, 3 MB Smart Cache, soldered Intel Core i5-7440EQ, 2.90 GHz (3.60 GHz Turbo), 4C/4T, 6 MB Smart Cache Intel Core i7-7820EQ 3.0 GHz (3.7 GHz Turbo), 4C/8T, 8 MB Smart Cache	Intel Core i5-7440EQ, 2.90 GHz (3.60 GHz Turbo), 4C/4T, 6 MB Smart Cache
System Configuration		1 x expansion slot	2 x slots for 2.5 in. HDD/SDD	1 x expansion slot	No expansion
Expansion Slot		1 x PCIe x 4 slot	–	1 x PCIe x 4 slot	–
RAM (2 x SODIMM DDR4-2400 modules)		4 GB 8 GB 16 GB 32 GB	8 GB	4 GB 8 GB 16 GB 32 GB	8 GB
RAID		–	Integrated into chip Intel HMI70 PCH RAID 0, 1	–	–
2.5 in. SSD		2 x 2.5 in. SATA III SSD (up to 1 TB) No storage	2 x 2.5 in. SATA III SSD (up to 128 GB) No storage	2 x 2.5 in. SATA III SSD (up to 1 TB) No storage	2 x 2.5 in. SATA III SSD (up to 256 GB) No storage
Interface	LAN	4 x Gigabit Ethernet RJ45			3 x Gigabit Ethernet RJ45
	USB	3 x USB 3.0 (Type A) 2 x USB 2.0 (Type A)			4 x USB 3.0 (Type A)
	Serial	1 x RS-232 (DB9M)			
	Video	1 x DVI-D (resolution up to 1920 x 1080)			1 x DisplayPort++V1.2
Additional Com Port 1		2 x serial RS-232 None	2 x USB 2.0	2 x serial RS-232 None	2 x USB
Operating System		Microsoft Windows 10 IoT Enterprise LTSC 2019 None	Microsoft Windows 10 IoT Enterprise LTSC 2019	Microsoft Windows 10 IoT Enterprise LTSC 2019 None	Microsoft Windows 10 IoT Enterprise LTSC 2019
Power		24V DC isolated			
ATX		Kit for ATX mode power supply			Kit for ATX mode power supply for S0/S1 versions

Environmental Specifications

Specification	Value
Operating temperature	0...50 °C (32...122 °F) with Core i3 processor 0...45 °C (32...113 °F) with Core i7 processor
Storage temperature	-10...+60 °C (14...140 °F)
Relative humidity	20...90% noncondensing at 0...40 °C (32...104 °F) 20...80% noncondensing at 41...50 °C (106...122 °F)

Certifications

- CE (EN 61326-1, EN 61010-1, EN 61010-2- 201)
- cULus Listed (UL61010)
- KCC (Korea)
- RCM (Australia and New Zealand)
- UKCA

For compliance in India, the following catalog numbers are available with BIS certification:

- 6300P-121FAPSXDNA-CCCAW19NCNCNN-NN1S
- 6300P-121BAPSXDNB-3BBBW19NCNBNN-NN1S
- 6300P-121BAPSXDNB-3CCBW19NCNCNN-NN1S
- 6300P-121BAPSXDNB-3CDBW19NCNDNN-NN1S
- 6300P-121BAPSXDNB-5CCBW19NCNCNN-NN1S
- 6300P-121BAPSXDNB-5CDBW19NCNDNN-NN1S
- 6300P-121BAPSXDNB-7CCBW19NCNCNN-NN1S
- 6300P-156AAPSFDNB-5BBBW19NCNBNN-NN1S
- 6300P-156AAPSFDNB-5CCBW19NCNCNN-NN1S
- 6300P-156AAPSFDNB-5DCBW19NCNDNN-NN1S
- 6300P-156ECPMFDNA-CBAAW19NCNANN-NN1S
- 6300P-156ACPMFDNB-3CBBW19NCNBNN-NN1S
- 6300P-156ACPMFDNB-5DCBW19NCNCNN-NN1S
- 6300P-156AAPSFDNB-7CCBW19NCNCNN-NN1S
- 6300P-190BAPSTDNB-7DCBW19NCNDNN-NN1S
- 6300P-190BAPSTDNB-7CCBW19NCNCNN-NN1S
- 6300P-190BAPSTDNB-3CCBW19NCNCNN-NN1S
- 6300P-190BAPSTDNB-5DCBW19NCNCNN-NN1S
- 6300P-190FAPSTDNA-CCCAW19NCNCNN-NN1S
- 6300P-190BAPSTDNB-5CBBW19NCNBNN-NN1S
- 6300P-190BAPSTDNB-5CCBW19NCNCNN-NN1S
- 6300P-215AAPSFDNB-7CCBW19NCNCNN-NN1S
- 6300P-215AAPSFDNB-5DCBW19NCNCNN-NN1S
- 6300P-215AAPSFDNB-5CCBW19NCNCNN-NN1S
- 6300P-215ACPMFDNB-5CDBW19NCNDNN-NN1S
- 6300P-215ACPMFDNB-7CDBW19NCNDNN-NN1S
- 6300P-215ACPMFDNB-3CCBW19NCNCNN-NN1S
- 6300P-121BAPSXDNB-7DCBW19NCNDNN-NN1S
- 6300P-156AAPSFDNB-7EDBW19NCNDNN-NN1S
- 6300P-190BAPSTDNB-7EDBW19NCNDNN-NN1S
- 6300P-215AAPSFDNB-7DCBW19NCNDNN-NN1S

6300P Panel PCs with Celeron Processors

The ASEM 6300P panel PCs with Celeron processors are available in the following configurations:

- 6300P-xxxE widescreen panel PCs with Celeron processors
- 6300P-xxxF standard resolution panel PCs with Celeron processors

Technical Specifications

Specification		6300P-xxxE Options	6300P-xxxF Options
Screen Size		Where xxx is: 156 = 15.6 in. 185 = 18.5 in. 215 = 21.5 in. 240 = 24 in.	Where xxx is: 121 = 12.1 in. 150 = 15 in. 170 = 17 in. 190 = 19 in.
Resolution		16:9 1920 x 1080	4:3 1024 x 768 5:4 1280 x 1024
Front Panel	Design	Aluminum	
	Touchscreen	Standard single touch (resistive)	
Mounting Option		Panel	
Fan Selection		Fanless	
Processor		Intel Celeron G3900E 2.40 GHz, 2C/2T, 2 MB L2 Smart Cache, soldered	
RAM (2 x SODIMM DDR4-2400 modules)		4 GB 8 GB 16 GB 32 GB	
RAID		Integrated into chip Intel HM170 PCH RAID 0, 1	
2.5 in. SSD		2 x 2.5 in. SATA III SSD (up to 1 TB) No storage	
Interface	LAN	4 x Gigabit Ethernet RJ45	
	USB	3 x USB 3.0 (Type A) 2 x USB 2.0 (Type A)	
	Video	1 x DVI-D (resolution up to 1920 x 1080)	
Additional Com Port 1		2 x serial RS-232 None	
Operating System		Microsoft Windows 10 IoT LTSC 2019 None	
Power		24V DC isolated	
ATX		Kit for ATX mode power supply	

Environmental Specifications

Specification	Value
Operating temperature	0...50 °C (32...122 °F)
Storage temperature	-10...+60 °C (14...140 °F)
Relative humidity	20...90% noncondensing at 0...40 °C (32...104 °F) 20...80% noncondensing at 41...50 °C (106...122 °F)

Certifications

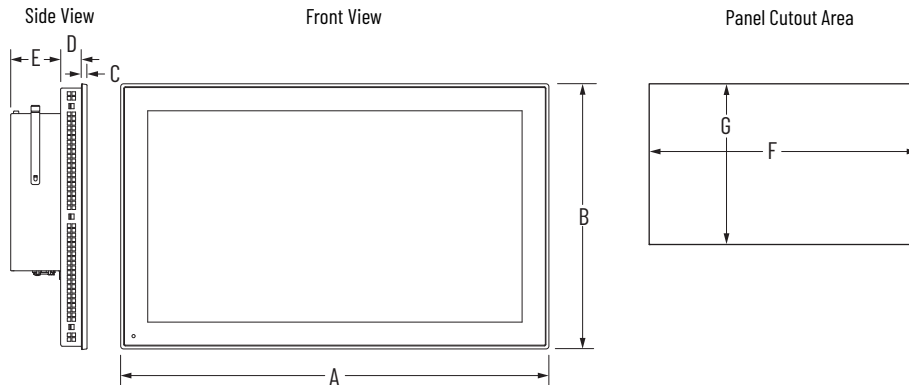
- CE (EN 61326-1, EN 61010-1, EN 61010-2- 201)
- RCM (Australia and New Zealand)
- cULus Listed (UL61010)
- UKCA
- KCC (Korea)

Approximate Dimensions – 6300P Panel PC

Dimensions are in millimeters (inches). Dimensions are not intended to be used for manufacturing purposes.

Catalog number 6300P-240ACPM is shown in the following table for illustrative purposes.

Figure 14 - 6300P Panel PC Approximate Dimensions



Catalog Number 6300P-		Panel PC [mm (in.)]					Panel Cutout Area [mm (in.)]	
		A	B	C	D	E	F (1)	G (2)
121	BAPS	335 (13.2)	270 (10.62)	5 (0.20)	19 (0.75)	100 (3.94)	315 (12.40)	250 (9.84)
	FAPS					70 (2.76)		
	JXPS	323.8 (12.75)	225.8 (8.89)	5.3 (0.21)	17.6 (0.69)	59.6 (2.35)	313 (12.3)	216 (8.50)
150	BAPS	390 (15.35)	315 (12.4)	6 (0.24)	19 (0.75)	100 (3.94)	370 (14.57)	295 (11.61)
	FAPS					70 (2.76)		
156	AAPS	395.5 (15.57)	245 (9.65)	6 (0.24)	24 (0.95)	100 (3.94)	388 (15.28)	238 (9.37)
	EAPS							
	ACPM					100 (3.94)		
	ECPM					70 (2.76)		
170	BAPS	455 (17.91)	355 (14.0)	6 (0.24)	21 (0.83)	100 (3.94)	435 (17.13)	335 (13.19)
	FAPS					70 (2.76)		
185	AAPS	461 (18.15)	282 (11.1)	6 (0.24)	24 (0.95)	100 (3.94)	453 (17.83)	274 (10.79)
	EAPS							
	ACPM					100 (3.94)		
	ECPM					70 (2.76)		
190	BAPS	490 (19.29)	388 (15.28)	6 (0.24)	23 (0.91)	100 (3.94)	470 (18.50)	368 (14.49)
	FAPS					70 (2.76)		
215	AAPS	528 (20.79)	319.5 (12.58)	6 (0.24)	24 (0.95)	100 (3.94)	520 (20.47)	312 (12.28)
	EAPS							
	ACPM					100 (3.94)		
	ECPM					70 (2.76)		
240	AAPS	584 (23.00)	352 (13.86)	6 (0.24)	24 (0.95)	100 (3.94)	577 (22.71)	344 (13.54)
	EAPS							
	ACPM							
	ECPM							

(1) Dimensions are +0/-1 mm (0.04 in.).

Additional Resources

These documents contain additional information concerning related products from Rockwell Automation. You can view or download publications at rok.auto/literature.

Resource	Description
ASEM 6300P Panel PCs User Manual, publication 6300P-UM001	Provides information on how to install, connect, operate, and troubleshoot ASEM 6300P panel PCs.
ASEM 6300P DC Powered Panel PCs, publication 6300P-IN001	Provides installation instructions for ASEM 6300P industrial panel PCs.
ProposalWorks™ configuration software, rok.auto/systemtools	Helps configure complete, valid catalog numbers and build complete quotes based on detailed product information.
Product Certifications website, rok.auto/certifications	Provides declarations of conformity, certificates, and other certification details.

Notes:

ASEM™ 6300T Box Thin Clients are ThinManager® Ready devices that are designed to be used with ThinManager Software. ThinManager provides unprecedented control and security in a sustainable and scalable platform. ThinManager's thin client architecture allows for deployment of centrally managed, low-cost hardware while securely delivering the applications and tools familiar to your users.

6300T-JB1 Thin Clients

The 6300T-JB1 thin client is available in the following configuration.

Technical Specifications

Specification	6300T-JB1xxA	6300T-JB1-xxB
Mounting Option	Book mount DIN rail mount	
Processor	Intel® Celeron® 6305E 1.8 GHz, 2C/4T, 4 MB smart cache, 10 nm	
Interface	LAN	4 x Ethernet 10/100/1000/2500 Mbps (Intel i226, RJ45)
	USB	4 x USB 3.2 (Type-A)
	Video	2 x DisplayPort++ V1.4a
	Audio	4 x DisplayPort++ V1.4a and 1 x RS-232/422/485 isolated (DB9M)
RAM	4 GB 8 GB	
TPM	Discrete TPM	
Power	24V DC isolated	
System Configuration	No expansion	
Battery	1 x CR2032 Internal access	

Environmental Specifications

Attribute	Values	
Ambient Temperature	Operating	0...50 °C (32...122 °F)
	Storage	-20...+65 °C (-4...+149 °F)
	Nonoperating	-25...+70 °C (-13...+158 °F)
Relative humidity	20%...90% RH @ 25 °C (77 °F) noncondensing	
Maximum Altitude, operating	2000 m (6562 ft)	
Vibration (EN 60068-2-6:2008-02 Environmental testing - Part 2-6: Tests - Test Fc: Vibration (sinusoidal))	Frequency range	10.00...500.00 Hz
	Sweep rate	1 octave/min
	Number of sweep cycles	5/axis (56 ft 27 in.)
	Displacement	0.3048 mm (0.012 in.) p-p (10.00...57 Hz)
	Acceleration	0-p: 2.0 g (57...500.00 Hz)
Shock (En 60068-2-27:2009-05, Environmental testing - Part 2-27: Tests - Test Ea and guidance: Shock) Shape of rated mechanical stress: Half-Sine	Operating	15 g (acceleration) at 11 ms (duration)
	Nonoperating	30 g (acceleration) at 11 ms (duration)

Certifications

- CE (EN 61326-1, EN 61010-1, EN 61010-2- 201)
- cULus Listed (UL61010)
- Cmim (Morocco)
- KCC (Korea)
- RCM (Australia and New Zealand)
- REACH
- RoHS
- UKCA

Approximate Dimensions – JB1 Thin Clients

Dimensions are in millimeters (inches). Dimensions are not intended to be used for manufacturing purposes.

Figure 15 - 6300T-JB1AxA

Book installation

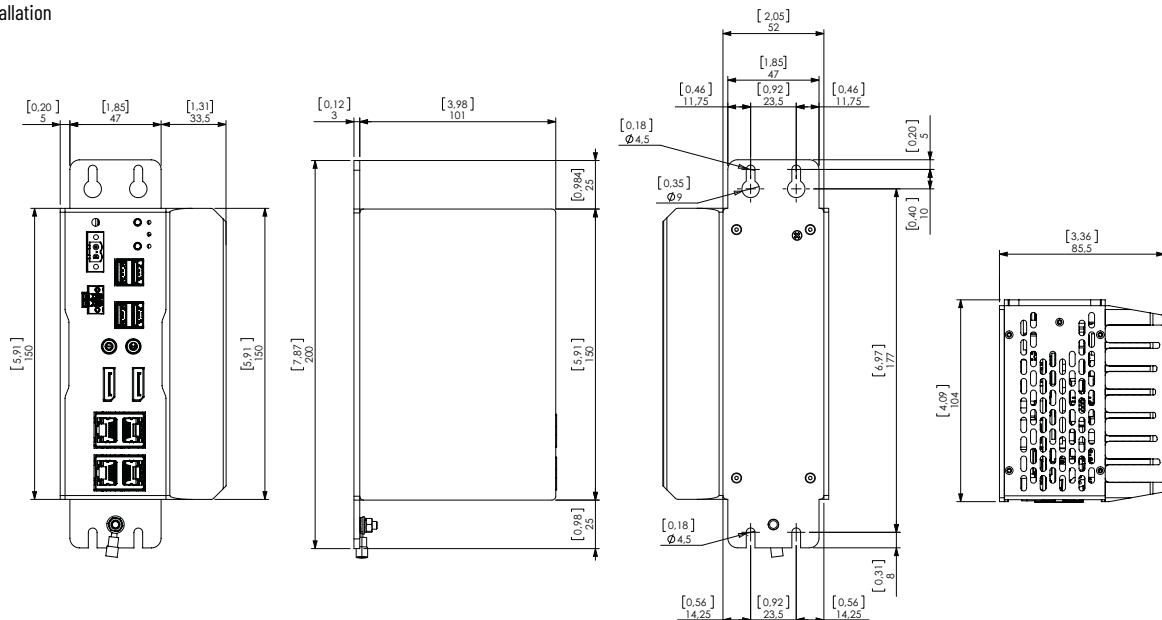


Figure 16 - 6300T-JB1BxA

DIN rail installation

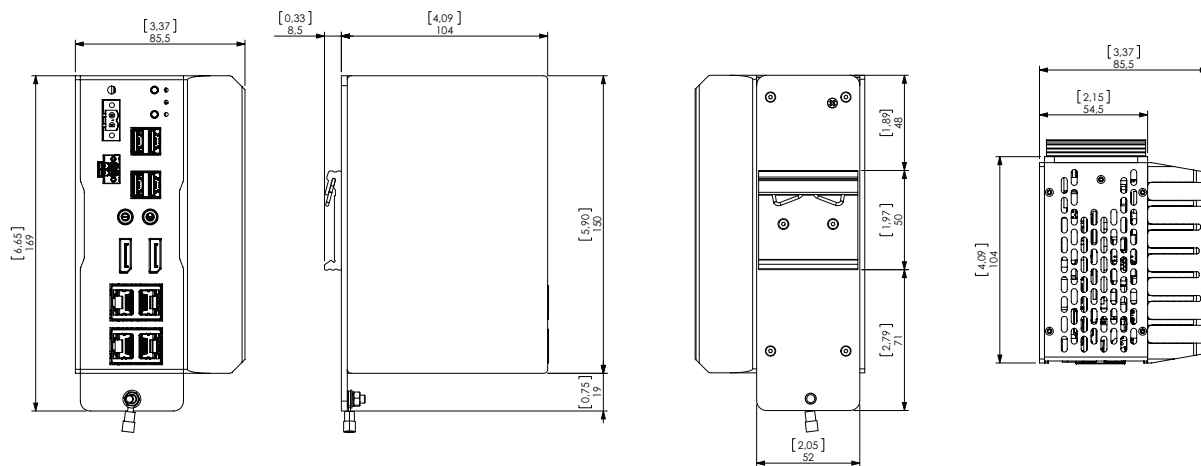


Figure 17 - 6300T-JB1AxB

Book installation

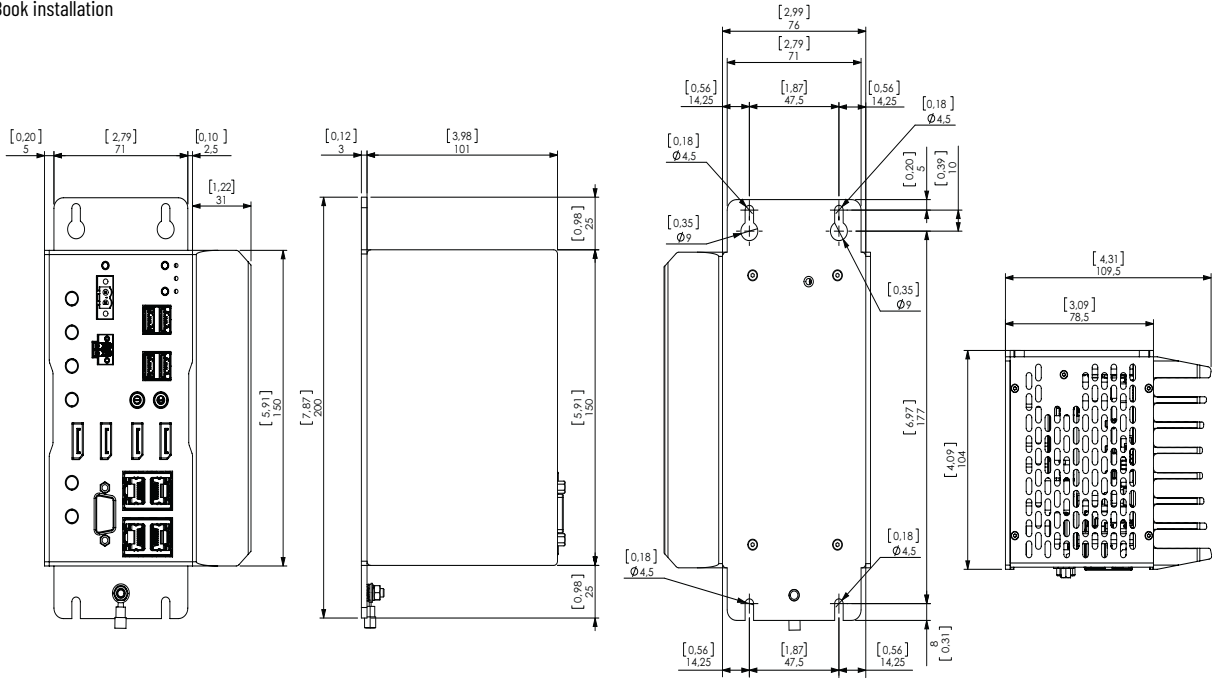
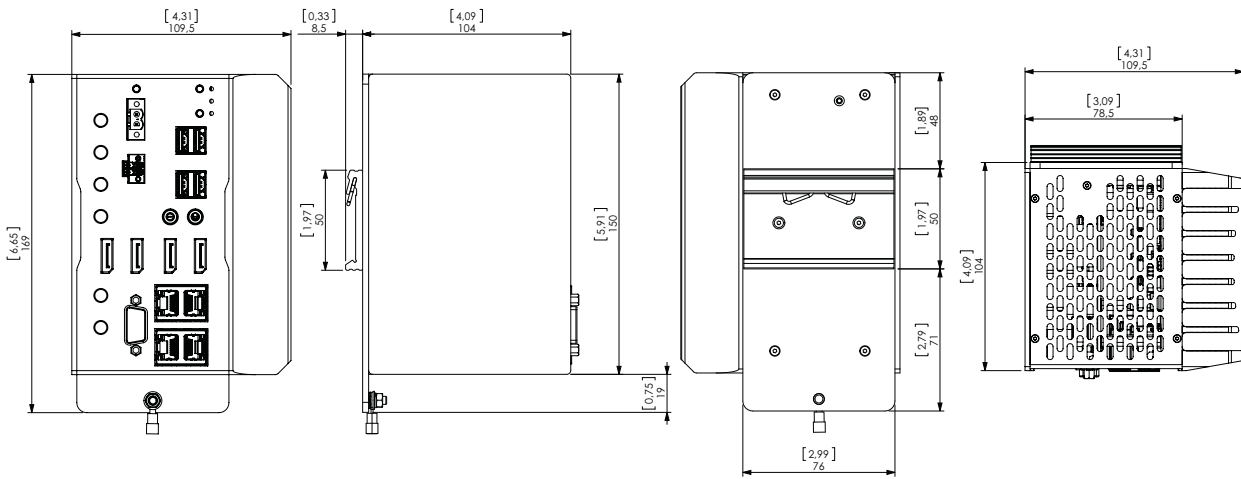


Figure 18 - 6300T-JB1BxB

DIN rail installation



6300T-B Thin Clients

The 6300T box thin clients are available in the following configurations:

- 6300T-BAB single display box thin client
- 6300T-BBx dual display box thin client

Technical Specifications

Specification		6300T-BAB Options	6300T-BBx Options
Mounting Option		Book mount DIN rail mount kit available as separate accessory	Where x is: B = book mount D = DIN rail mount
Processor		Intel Atom x7-E3950 1.6 GHz (2.0 GHz Burst), 4C/4T, 2 MB L2 cache, 14 nm	
Interface	LAN	2 x Ethernet 10/100/1000 Mbps RJ45	
	USB	2 x USB 3.0 (Type A)	4 x USB 3.0 (Type A)
	Serial	—	1 x RS-232 Port
	Video	1 x DisplayPort ++ v1.2 (Maximum resolution: 4096 x 2160 @ 60 Hz)	2 x DisplayPort ++ v1.2 (Maximum resolution: 4096 x 2160 @ 60 Hz)
	Audio	—	Standard 3.5 mm audio output jack
RAM (LP-DDR4 - 2400 soldered)		4 GB 8 GB	
Power		24V DC isolated, no UPS	

These thin clients do not support PCI expansion, local storage, additional communication port, or long distance.

Environmental Specifications



Specification	Value
Operating temperature	0...50 °C (32...122 °F)
Storage temperature	-10...+60 °C (14...140 °F)
Relative humidity	80% (noncondensing)

Certifications

- CE (EN 61326-1, EN 61010-1, EN 61010-2- 201)
- cULus Listed (UL61010)
- KCC (Korea)
- RCM
- UKCA

The 6300T-BBx Thin Clients have these additional hazardous location certifications:

Location Categories for Hazardous Locations

Region	Rating	Temperature Range
United States	Class I Division 2, Groups A, B, C, D T4	Storage: -20 °C ≤ T _a ≤ +60 °C (-4 °F ≤ T _a ≤ +140 °F)
	Class I Zone 2, IIC, T4	
Canada	Class I Division 2, Groups A, B, C, D T4	
	Class I Zone 2, IIC, T4	
Europe (ATEX)	 II 3 G, Ex ec IIC T4 Gc	Operating: 0...50 °C (32...122 °F)
United Kingdom (UK)	 II 3 G, Ex ec IIC T4 Gc	

For compliance in China, the following 6300T-BBx catalog numbers are available without ATEX certification:

- 6300T-BBB2DA-ABNNNN-N1S-C
- 6300T-BBD2DA-ABNNNN-N1S-C
- 6300T-BBB2DA-ACNNNN-N1S-C
- 6300T-BBD2DA-ACNNNN-N1S-C

Approximate Dimensions – 6300T Box Thin Clients

Dimensions are in millimeters (inches). Dimensions are not intended to be used for manufacturing purposes.

Figure 19 - 6300T-BAB

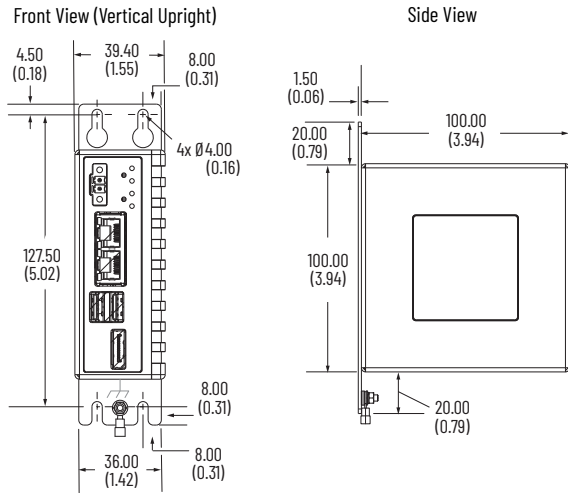


Figure 20 - 6300T-BAB with DIN Rail Mount

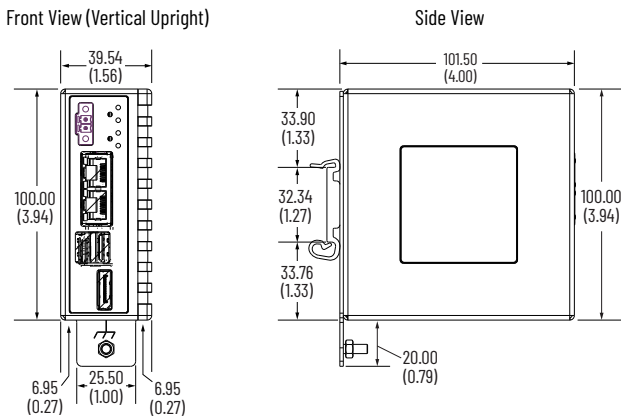


Figure 21 - 6300T-BBB

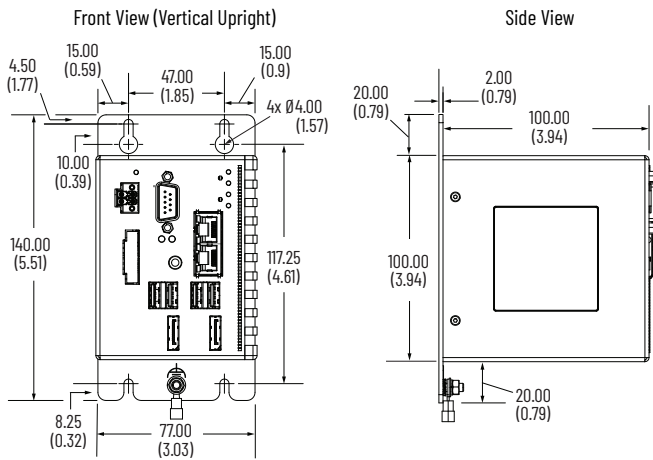
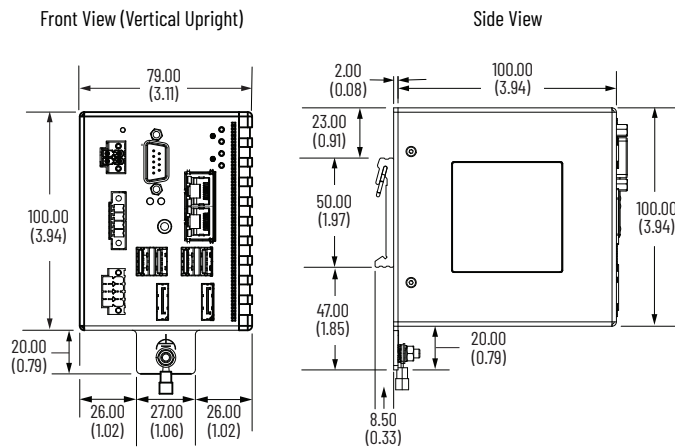


Figure 22 - 6300T-BBD



Additional Resources

These documents contain additional information concerning related products from Rockwell Automation. You can view or download publications at rok.auto/literature.

Resource	Description
ASEM 6300B Book Mount Box PCs and 6300T Book Mount Box Thin Clients User Manual, publication 6300B-UM001	Provides information on how to install, connect, operate, and troubleshoot ASEM 6300B-BMA and 6300B-BMB box PCs, and 6300T-BAx1 thin clients.
ASEM 6300B Box PCs and 6300T Thin Clients, publication 6300B-IN001	Provides installation instructions for ASEM 6300B-xxA, 6300B-BMB, 6300B-xxF, 6300B-xxN, 6300T-BA box industrial PCs and 6300T-BB thin clients.
ProposalWorks™ configuration software, rok.auto/systemtools	Helps configure complete, valid catalog numbers and build complete quotes based on detailed product information.
Product Certifications website, rok.auto/certifications	Provides declarations of conformity, certificates, and other certification details.

Notes:

6181X Integrated PCs and Thin Clients for Hazardous Locations

Our hazardous location computers combine hazardous location certifications with the capacity to withstand more extreme temperatures than any other offering on the market. These computers are designed to endure harsh temperature extremes and are rated for use in hazardous locations. Projected Capacitive (PCAP) touch terminals are available.

Technical Specifications

Specification	Options		
	Box PC: 6181X-000NWNNDNB-3xxxxxxG-xxx(x) Box Thin Client: 6181X-000NWNNDNB-3xNNNNxG-xxx(x)	Panel PC: 6181X-121PPMXDNB-3xxxxxxG-xxx(x) Panel Thin Client: 6181X-121PPMXDNB-3xNNNNxG-xxx(x)	
Mounting Option	Wall mount Book mount	Panel mount	
Front Panel	Display	–	12.1 in. sunlight-readable
	Touchscreen	–	Projected capacitive multi-touch Additional settings are available for the following: Thin and thick gloves Dry to damp operation
	Display Brightness	–	1300 cd/m2 (nit)
	Display Lifetime	–	100,000 hrs (typical @ 25 °C / 77 °F)
	Bezel	–	Aluminum
System Configuration	1 half-length PCIe x1 1 half-length PCI riser card accessory		
Processor	Intel i3-1115GRE Dual Core, 2.2 GHz, 11th Generation Tiger Lake		
RAM	16 GB 32 GB 64 GB		
2.5 in. SSD	1 x 2.5 in. SATA III SSD (up to 1 TB) No storage (thin-client option only)		
CFast	64 GB CFast accessory		
Interface	LAN	2 x 1 GB Ethernet	
	USB	4 x USB 3.0	
	Input/Output	2 x COM	
	Video	1 x DisplayPort 1 x DVI port	
TPM	Hardware TPM Firmware TPM None		
Operating System	Microsoft Windows® 10 IoT Enterprise 2021 LTSC None (thin-client option only)		
Power	18...32V DC	18...32V DC	

Preferred Catalog Numbers

Catalog Number	Description
6181X-121PPMXDNB-3ABW21FG-N1S Panel PC	12.1 in. integrated display PCAP multi-touch touchscreen Aluminum bezel Intel i3 processor 16 GB RAM 256 GB SSD fTPM DC power Microsoft Windows 10 IoT Enterprise 2021 LTSC No bundled Rockwell Software shipped with the product
6181X-000NWNNDNB-3ABW21FG-N1S Box PC	Intel i3 processor 16 GB RAM 256 GB SSD fTPM DC power Microsoft Windows 10 IoT Enterprise 2021 LTSC No bundled Rockwell Software shipped with the product
6181X-121PPMXDNB-3ANNNNFG-N1S Panel thin client	12.1 in. integrated display PCAP multi-touch touchscreen Aluminum bezel Intel i3 processor 16 GB RAM No SSD shipped with product fTPM DC power No operating system shipped with the product No bundled Rockwell Software shipped with the product
6181X-000NWNNDNB-3ANNNNFG-N1S Box thin client	Intel i3 processor 16 GB RAM No SSD fTPM DC Power No operating system shipped with the product No bundled Rockwell Software shipped with the product



Environmental Specifications

Specification	Non-Display Options	Display Options
	Box PC: 6181X-000NWNNDNB-3xxxxxxG-xxx(x) Box Thin Client: 6181X-000NWNNDNB-3xNNNNxG-xxx(x)	Panel PC: 6181X-121PPMXDNB-3xxxxxxG-xxx(x) Panel Thin Client: 6181X-121PPMXDNB-3xNNNNxG-xxx(x)
Temperature, operating	-20...+70 °C (-4...+158 °F)	Display side: -20...+55 °C (-4...+131 °F) Enclosure side: -20...+70 °C (-4...+158 °F)
Temperature, nonoperating	-30...+80 °C (-22...+176 °F)	
Shock, operating	15 g (1/2 sine, 11 ms)	
Shock, nonoperating	30 g (1/2 sine, 11 ms)	
Vibration, operating	0.012 in. p-p (10...57 Hz); 2 g peak, (57...640 Hz)	
Vibration, nonoperating	0.018 in. p-p (10...57 Hz); 3 g peak, (57...640 Hz)	
Ingress rating	—	UL TYPE 1, 4, 4X, 12, 13, and IP66





Certifications

- CE
- RCM
- EAC
- BSMI
- UAE/KSA
- UKCA
- KC
- Mexico NOM
- Morocco
- BIS

Additional Certification Statements

RoHS	Turkey RoHS (EEE Yönetmeliğine Uygundur. In Conformity with the EEE Regulation)	
		UAE RoHS Numero 0434B DA ISO 7000
EAC	не предназначено для применения во взрывоопасных зонах. только для общепромышленного применения.	
INMETRO		Para manual de instruções em português, use o seguinte link: Computadores industriais para áreas classificadas, publicação 6181X-IN003-PT-P .

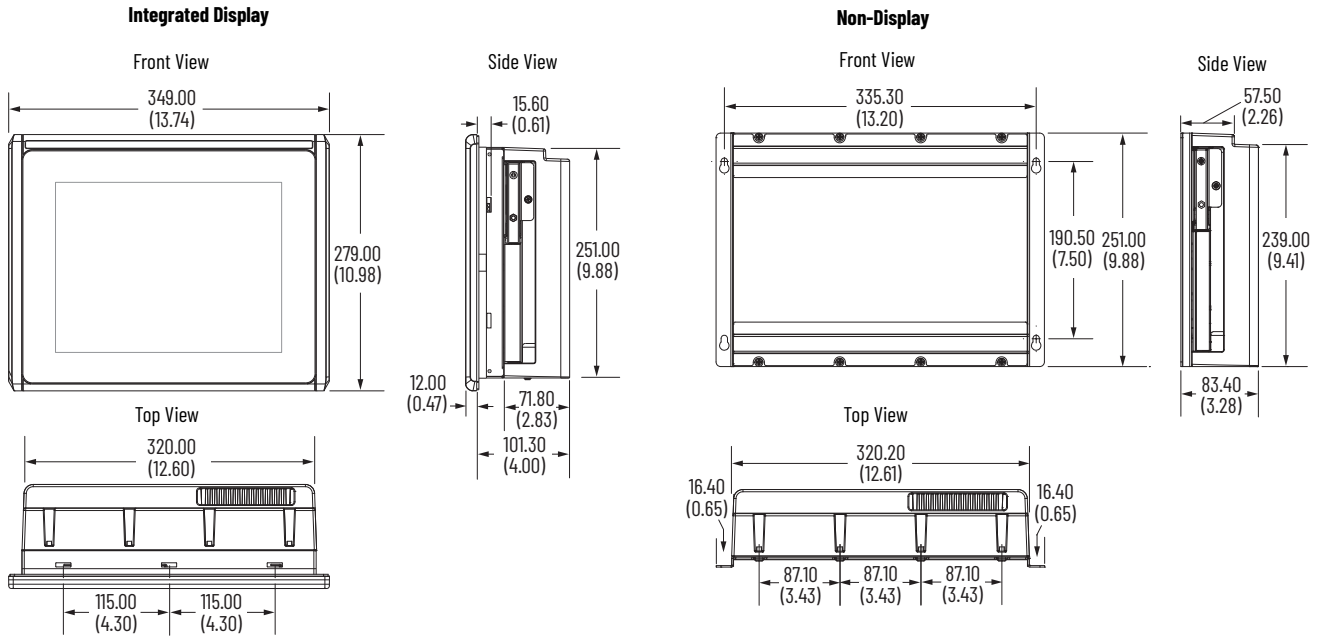
Location Categories for Hazardous Locations

Integrated Display			Non-Display		
Region	Rating	Temperature Range	Region	Rating	Temperature Range
United States	Class I Division 2, Groups A, B, C, D T4 Class II Division 2, Groups F, G T6 Class III Division 1 T6	$-20\text{ }^{\circ}\text{C} \leq T_a \leq 55\text{ }^{\circ}\text{C}$ $(-4\text{ }^{\circ}\text{F} \leq T_a \leq 131\text{ }^{\circ}\text{F})$ (display side) $-20\text{ }^{\circ}\text{C} \leq T_a \leq 70\text{ }^{\circ}\text{C}$ $(-4\text{ }^{\circ}\text{F} \leq T_a \leq 158\text{ }^{\circ}\text{F})$ (backside)	United States	Class I Division 2, Groups A, B, C, D T4	$-20\text{ }^{\circ}\text{C} \leq T_a \leq 70\text{ }^{\circ}\text{C}$ $(-4\text{ }^{\circ}\text{F} \leq T_a \leq 158\text{ }^{\circ}\text{F})$
	Class I Zone 2, IIC, T4 Class II Zone 22, IIIB, T70 °C			Class I Zone 2, IIC, T4	
Canada	Class I Division 2, Groups A, B, C, D T4 Class II Division 2, Groups F, G T6 Class III Division 1 T6		Class I Division 2, Groups A, B, C, D T4		
	Class I Zone 2, IIC, T4 Class II Zone 22, IIIB, T70 °C		Class I Zone 2, IIC, T4		
Europe (ATEX)	 II 3 GD, Ex ec IIC T4 Gc, Ex tc IIIC T70 °C Dc, UL 23 ATEX 3066X		Europe (ATEX)	 II 3 G, Ex ec IIC T4 Gc, UL 23 ATEX 3066X	
United Kingdom (UKEX)	 II 3 GD, Ex ec IIC T4 Gc Ex tc IIIC T70 °C Dc, UL23UKEX2943X		United Kingdom (UKEX)	 II 3 G, Ex ec IIC T4 Gc, UL23UKEX2943X	
Global/IECEx	Ex ec IIC T4 Gc, Ex tc IIIC T70°C Dc IECEx UL 23.0060X		Global/IECEx	Ex ec IIC T4 Gc, IECEx UL 23.0060X	
Brazil (INMETRO)	Ex ec IIC T4 Gc, Ex tc IIIC T70°C Dc UL-BR 23.1284X		Brazil (INMETRO)	Ex ec IIC T4 Gc UL-BR 23.1284X	
China (CCC)	Ex ec IIC T4 Gc, Ex tc IIIC T70°C Dc		China (CCC)	Ex ec IIC T4 Gc	

Approximate Dimensions – 6181X

Dimensions are in millimeters (inches). Dimensions are not intended to be used for manufacturing purposes.

Figure 23 - Approximate Dimensions



Additional Resources

These documents contain additional information concerning related products from Rockwell Automation. You can view or download publications at rok.auto/literature.

Resource	Description
Industrial Computers for Hazardous Locations User Manual for Series H, publication 6181X-UM002	Provides information on how to install, connect, operate, and troubleshoot Series H Industrial Computers for Hazardous Locations.
Industrial Computers for Hazardous Locations User Manual for Series J, publication 6181X-UM003	Provides information on how to install, connect, operate, and troubleshoot Series J Industrial Computers for Hazardous Locations.
Industrial Computers and Thin Clients for Hazardous Locations, Series J, publication 6181X-IN003	Provides installation instructions for Series J Industrial Computers and Thin Clients for Hazardous Locations.

Our industrial monitors are designed for rugged industrial environments and deliver the latest in LCD flat-panel technology.

The ASEM™ 6300M monitor family is designed with various display sizes and resolutions and offers two mounting methods. These monitors are also available in a standard or widescreen bezel format.

The ASEM 6300M industrial monitor includes a ten-point multi-touch touchscreen that can also be operated with gloves. The touchscreens are pre-calibrated, which helps eliminate the need for recalibration. These monitors are optimized to work with the ASEM 6300 computer and thin client portfolio to create a visualization, maintenance, control, or information computing solution.

The 6300M monitors are available in the following configurations:

- 6300M-xxxA widescreen monitors with no embedded long-distance connectivity
- 6300M-xxxB standard resolution monitors with no embedded long-distance connectivity
- 6300M-xxxC widescreen monitors with long-distance connectivity
- 6300M-xxxD standard resolution monitors with long-distance connectivity

Technical Specifications

Specification		6300M-xxxA Options	6300M-xxxB Options	6300M-xxxC Options	6300M-xxxD Options
Screen Size		Where xxx is: 101 = 10.1 in. 121 = 12.1 in. 156 = 15.6 in. 185 = 18.5 in. 215 = 21.5 in. 240 = 24 in.	Where xxx is: 084 = 8.4 in. 104 = 10.4 in. 121 = 12.1 in. 150 = 15 in. 170 = 17 in. 190 = 19 in.	Where xxx is: 101 = 10.1 in. 121 = 12.1 in. 156 = 15.6 in. 185 = 18.5 in. 215 = 21.5 in. 240 = 24 in.	Where xxx is: 084 = 8.4 in. 104 = 10.4 in. 121 = 12.1 in. 150 = 15 in. 170 = 17 in. 190 = 19 in.
Screen Type		Widescreen	Standard	Widescreen	Standard
Resolution		16:10 1280 x 800 (10.1, 12.1 in.) 16:9 1920 x 1080 (15.6, 18.5, 21.5, 24 in.)	4:3 800 x 600 (8.4, 10.4 in.) 4:3 1024 x 768 (12.1, 15 in.) 5:4 1280 x 1024 (17, 19 in.)	16:10 1280 x 800 (10.1, 12.1 in.) 16:9 1920 x 1080 (15.6, 18.5, 21.5, 24 in.)	4:3 800 x 600 (8.4, 10.4 in.) 4:3 1024 x 768 (12.1, 15 in.) 5:4 1280 x 1024 (17, 19 in.)
Front Panel	Multi-Touch	Aluminum and glass TrueFlat	–	Aluminum and glass TrueFlat	–
	Single Touch	Aluminum Stainless-steel IP69K	Aluminum ⁽¹⁾ Aluminum TrueFlat ⁽¹⁾ Stainless-steel IP66	Aluminum Stainless-steel IP69K	Aluminum ⁽¹⁾ Aluminum TrueFlat ⁽¹⁾ Stainless-steel IP66
Interface	Video	1 x DisplayPort 1 x DVI-D		1 x RJ45 remote video link (RVL) for remote DVI-D and USB 2.0	
	USB Input	1 x USB 2.0 HUB Input (Type B)			
	USB Output	3 x USB 2.0 (Type A)			
Power		120V AC 24V DC isolated			

(1) Includes additional front-accessible 1 x USB 2.0 (Type A) port with rubber access panel.

Environmental Specifications

Specification	Value
Operating temperature	0...50 °C (32...122 °F)
Storage temperature	-20...+65°C (-4...+149 °F)
Relative humidity	80% (noncondensing)

Certifications

- CE (EN 61326-1, EN 61010-1, EN 61010-2- 201)
- cULus Listed (UL61010)
- EAC (Euroasian Russian)
- KCC (Korea)
- Morocco
- RCM
- UKCA

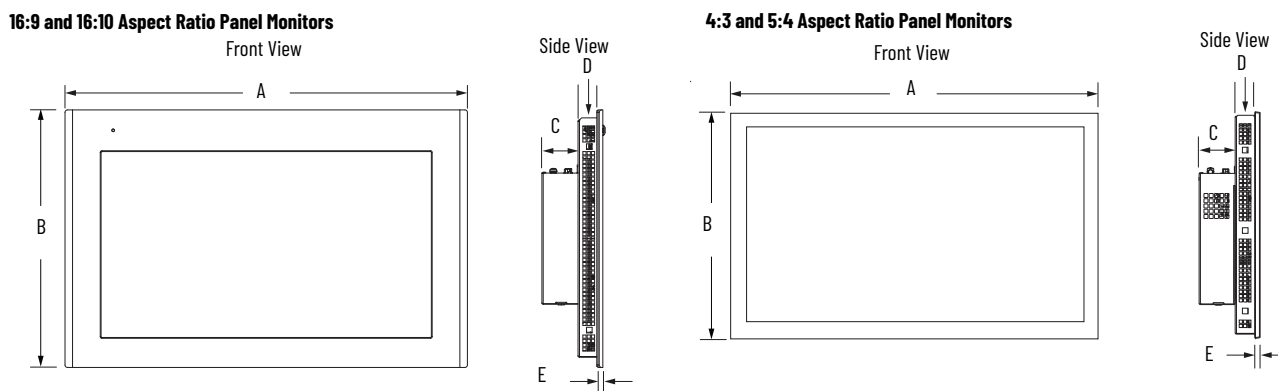
For DC powered models only:

- UL Class 1 Div 2 Hazardous Location Certification

Approximate Dimensions – ASEM 6300M Monitors

Dimensions are shown in millimeters (inches). Dimensions are not intended to be used for manufacturing purposes.

Figure 24 - 6300M Monitors



Display Size	Aspect Ratio	Bezel Type	Dimensions [mm (in.)]				
			A	B	C	D	E
8.4	4:3	Aluminum	250 (9.84)	210 (8.27)	45 (1.77)	19 (0.75)	5 (0.2)
		Aluminum TrueFlat					
10.1	16:10	Aluminum	262.5 (10.33)	181 (7.13)	45 (1.77)	17.5 (0.69)	4.5 (0.18)
		Aluminum glass TrueFlat					
		Stainless-steel					
10.4	4:3	Aluminum	300 (11.81)	245 (9.65)	45 (1.77)	19 (0.75)	5 (0.2)
		Aluminum TrueFlat					
12.1	16:10	Aluminum	308 (12.13)	210 (8.27)	45 (1.77)	17.5 (0.69)	4.5 (0.18)
		Aluminum glass TrueFlat					
	4:3	Aluminum	335 (13.19)	270 (10.63)	45 (1.77)	19 (0.75)	5 (0.2)
		Stainless-steel					
15.0	4:3	Aluminum	390 (15.35)	315 (12.4)	45 (1.77)	19 (0.75)	6 (0.24)
		Stainless-steel					
15.6	16:9	Aluminum	395 (15.55)	245 (9.65)	45 (1.77)	25 (0.98)	4.5 (0.18)
		Aluminum glass TrueFlat					6 (0.24)
17.0	5:4	Aluminum	455 (17.91)	355 (13.98)	45 (1.77)	21 (0.83)	6 (0.24)
		Stainless-steel					
18.5	16:9	Aluminum	461 (18.15)	282 (11.1)	45 (1.77)	25 (0.98)	6 (0.24)
		Aluminum glass TrueFlat					
19.0	5:4	Aluminum	490 (19.29)	388 (15.28)	45 (1.77)	21 (0.83)	6 (0.24)
		Stainless-steel					
21.5	16:9	Aluminum	528 (20.79)	319 (12.56)	45 (1.77)	25 (0.98)	6 (0.24)
		Aluminum glass TrueFlat					
24.0	16:9	Aluminum	584 (23.00)	352 (13.86)	45 (1.77)	25 (0.98)	6 (0.24)
		Aluminum glass TrueFlat					

Additional Resources

These documents contain additional information concerning related products from Rockwell Automation. You can view or download publications at rok.auto/literature.

Resource	Description
ASEM 6300M Panel Monitors User Manual, publication 6300M-UM001	Provides information on how to install, connect, operate, and troubleshoot ASEM 6300M panel monitors.
ASEM 6300M DC Powered Panel Monitors, publication 6300M-IN002	Provides installation instructions for ASEM 6300M-xxxBA and 6300M-xxxBB industrial monitors.
ProposalWorks™ configuration software, rok.auto/systemtools	Helps configure complete, valid catalog numbers and build complete quotes based on detailed product information.
Product Certifications website, rok.auto/certifications	Provides declarations of conformity, certificates, and other certification details.

Our On-Machine™ portfolio enables a simpler, more modular approach to machine design for many applications that lowers total costs.

By moving controls and hardware out of the cabinet and closer to the application, or directly onto the equipment, the On-Machine approach can save floor space and minimize complex wiring.

On-Machine solutions are environmentally robust and offer plug and play electronics and modular wiring connections. These features speedup design, installation, and maintenance – and improve productivity and flexibility.

6300PA On-Machine PCs

ASEM™ 6300PA On-Machine industrial PCs save time, space, and installation cost. With a fanless design and the ability to operate in a wide ambient temperature range, these PCs are built to deliver years of excellent reliability. Industrial PCs are ThinManager® ready and offer flexible mounting options, allowing machine designers to place the PC in the ideal location. These PCs can be further customized with optional accessories including handles, keyboard trays, and a special panel for push buttons, selector switches, and other input devices.

6300PA On-machine panel PCs are available in the following configurations.

- 6300PA-xxxA:
 - without button area
 - with long distance without button area
- 6300PA-xxxB:
 - with button area
 - with button area and portrait mode
 - with long distance, button area, and portrait mode

Technical Specifications

Component		Description
Front Panel	Design	Aluminum and glass TrueFlat
	Touchscreen	Multi-touch
Mounting Option	Installation	VESA 75/100 or pole/suspension arm mount system compatible with RITTAL CP40/ROLEC TARAPLUS/HASEKE ULT KUPPLUNG 48
Case	Material	Aluminum Alloy AN AB46400
	Color	Anti-scratch painted – RAL 9006
	Accessories	Side handles Perimeter handle Keyboard tray (compatible with side handles or no handles)
Processor		Intel Celeron 3965U 2.2 GHz, 2C/2T 2 MB Smart Cache 14 nm, soldered Intel Core i3-7100U 2.4 GHz, 2C/4T 3 MB Smart Cache 14 nm, soldered Intel Core i5-7300U 2.6 GHz (3.50 GHz Turbo), 2C/4T 3 MB Smart Cache 14 nm, soldered Intel Core i7-7600U 2.8 GHz (3.90 GHz Turbo), 2C/4T 4 MB Smart Cache 14 nm, soldered
Chipset		Kaby Lake Platform Controller Hub - Low Power, included into processor chip (SoC)
Video Controller		610 integrated in Celeron 3965U 300MHz/900MHz 620 integrated in Core i3 processors 300MHz/1.00GHz 620 integrated in Core i5 processors 300MHz/1.10GHz 620 integrated in Core i7 processor 300MHz/1.15GHz
Watchdog		Programmable time period
RAM (1 x SODIMM DDR4 module)		4 GB 8 GB 16 GB
CFast		1 x bootable CFast SATA III slot onboard with external access up to 240 GB
M.2 SSD		1 x onboard connector for direct insertion of M.2 2280 NVMe PCIe x 2 SSD or M.2 2280 NVMe PCIe x 4 SSD (up to 1 TB)
Interface	LAN	3 x Gigabit Ethernet RJ45
	USB	3 x USB 3.0 (Type A), 1 x USB 3.0 (Type A) rear with protection cap
	Video	1 x DisplayPort++ V1.2 or 1 x RJ45 connector for remote video link (RVL)

Technical Specifications (Continued)

Component	Description
Add-On Interface	1 x RS-232/422/485 (DB15M) 1 x RS-232/422/485 (DB15M) isolated 1 x Gigabit Ethernet RJ45
Operating System	Microsoft Windows® 10 IoT Enterprise LTSC 2019 None
Power Supply Input	24V DC (18...32V) SELV isolated
Power Supply (optional)	Kit for ATX power supply (internal cable and push button on button area)
Battery	1 x CR2032 removable, 1 quantity

Environmental Specifications

Specification	Value
Operating temperature	0...50 °C (32...122 °F)
Storage temperature	-10...+60 °C (14...140 °F)
Relative humidity	20...90% noncondensing at 0...40 °C (32...104 °F) 20...80% noncondensing at 41...50 °C (105...122 °F)

Certifications

- CE (EN 61326-1, EN 61010-1, EN 61010-2- 201)
- cULus Listed (UL61010)
- KCC (Korea)
- RCM
- UKCA

6300MA On-Machine Monitors

The ASEM™ 6300MA On-Machine™ industrial monitors are designed to make operations more flexible and reliable. These industrial monitors offer adaptable mounting options, allowing machine designers to place the monitor in the ideal location. These monitors can be further customized with optional accessories including handles, keyboard trays, and pilot devices. Additionally, ASEM 6300 monitors incorporate a fanless design and wide temperature specs, which create a more dependable industrial system overall.

The 6300MA widescreen monitors are available in the following configurations:

- 6300MA-xxxA On-Machine monitors in landscape configuration, without button area and without long-distance connectivity
- 6300MA-xxxB On-Machine monitors in portrait or landscape configuration, with button area and without long-distance connectivity
- 6300MA-xxxC On-Machine monitors in landscape configuration, without button area and with long-distance connectivity
- 6300MA-xxxD On-Machine monitors in portrait or landscape configuration, with button area and with long-distance connectivity

Technical Specifications

Specification	Catalog Number 6300MA				
	xxxAAxxF xxxCAxxF	xxxACxxF xxxCCxxF	xxxBAxxF xxxDAxxF	xxxBCxxF xxxDCxxF	xxxBCxxP xxxDCxxP
Backlit Thin Film Transistor (TFT) LCD: Display Size Resolution (pixel x pixel)	15.6 in., 1920 x 1080 18.5 in., 1920 x 1080 21.5 in., 1920 x 1080 24 in., 1920 x 1080				21.5 in., 1920 x 1080 24 in., 1920 x 1080
Orientation	Landscape				Portrait
Touchscreen	Resistive	P-CAP Multi-touch	Resistive	P-CAP Multi-touch	P-CAP Multi-touch
Front Panel	Aluminum	TrueFlat Aluminum	Aluminum	TrueFlat Aluminum	TrueFlat Aluminum
Protection Grade	Full IP65				

Environmental Specifications

Specification	Value
Operating temperature	0...50 °C (32...122 °F)
Storage temperature	-10...+60 °C (14...140 °F)
Relative humidity	20...90% noncondensing at 0...40 °C (32...104 °F) 20...80% noncondensing at 41...50 °C (105...122 °F)

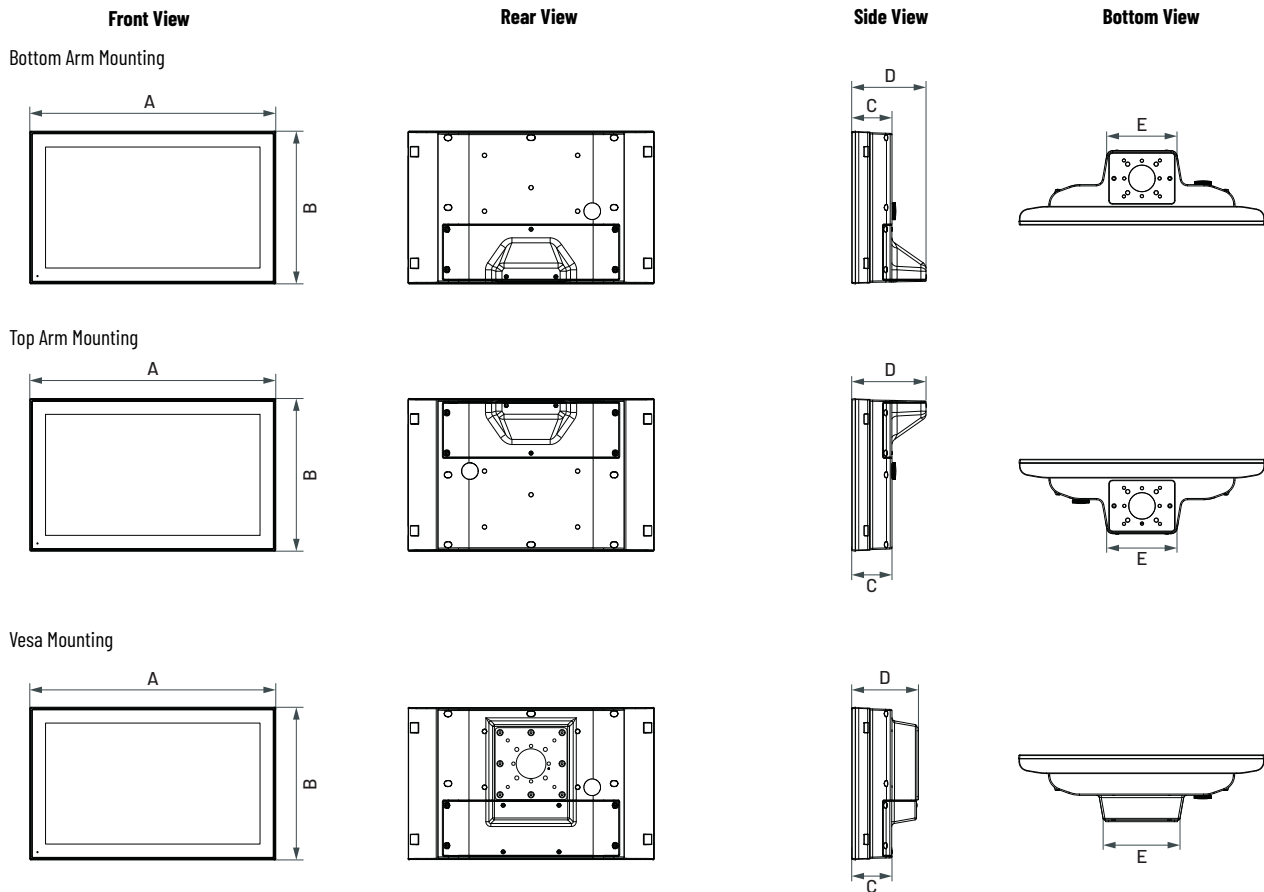
Certifications

- CE
- cULus Listed
- KCC (Korea)
- RCM
- RoHS
- UKCA

Approximate Dimensions – On-Machine PCs and Monitors

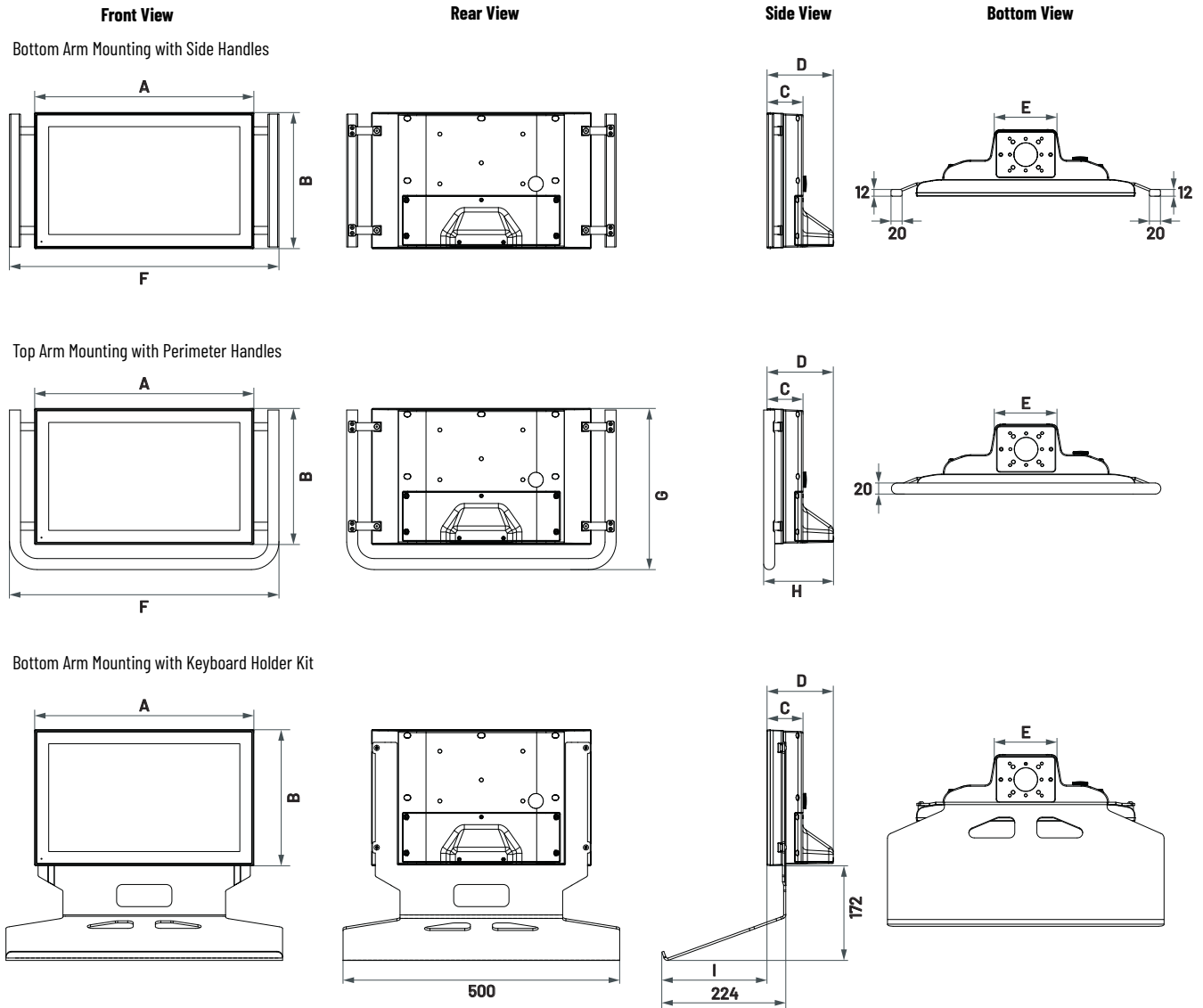
Dimensions are in millimeters (inches). Dimensions are not intended to be used for manufacturing purposes.

Figure 25 - On-Machine PCs and Monitors without Handles



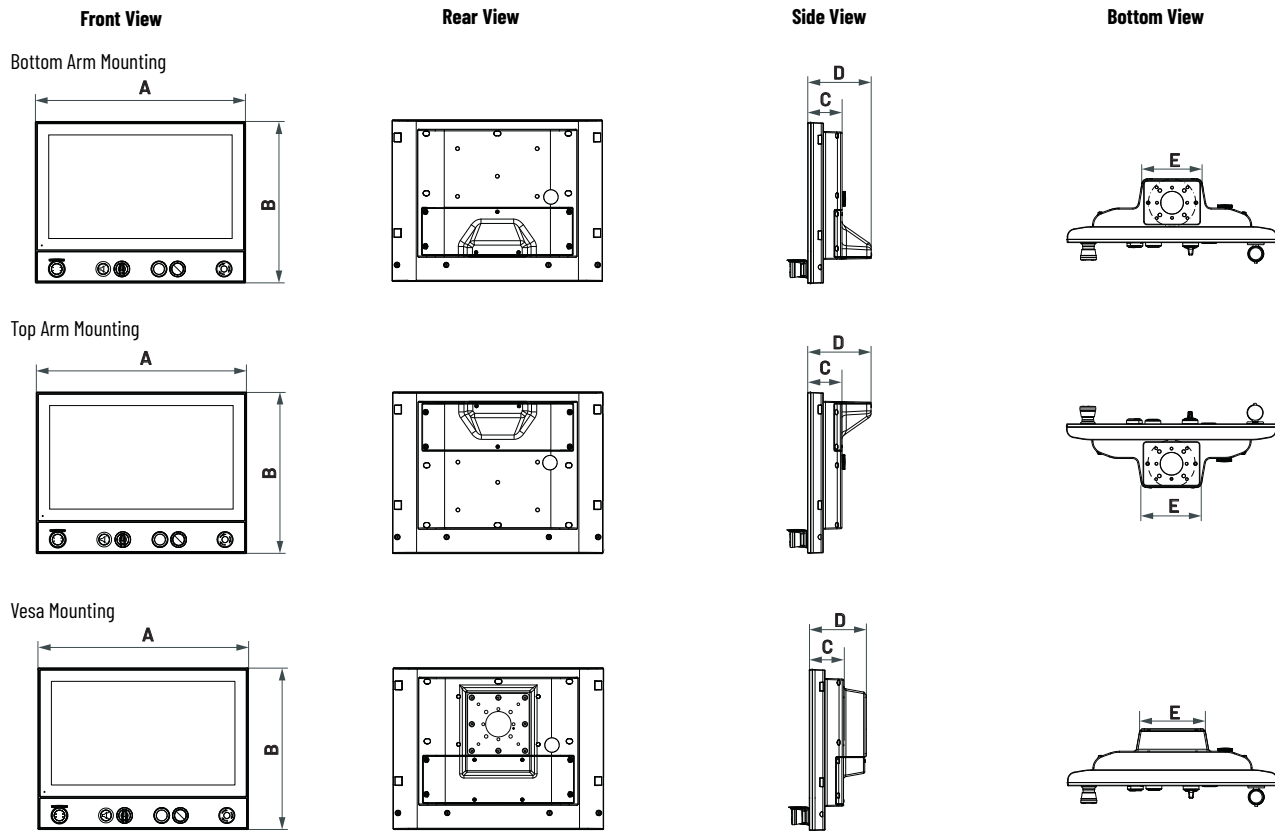
LCD and Mounting	A [mm (in.)]	B [mm (in.)]	C [mm (in.)]	D [mm (in.)]	E [mm (in.)]
15.6" Top/Bottom	396.30 (15.60)	245.80 (9.68)	65 (2.56)	120 (4.72)	113.4 (4.47)
15.6" Vesa	396.3 (15.60)	245.80 (9.68)	65 (2.56)	108 (4.25)	123.9 (4.88)
18.5" Top/Bottom	461.80 (18.18)	282.60 (11.13)	71 (2.8)	126 (4.96)	113.4 (4.47)
18.5" Vesa	461.80 (18.18)	282.60 (11.13)	71 (2.8)	113 (4.45)	123.9 (4.88)
21.5" Top/Bottom	528.80 (20.82)	320.20 (12.61)	75 (2.95)	130 (5.12)	113.4 (4.47)
21.5" Vesa	528.80 (20.82)	320.20 (12.61)	75 (2.95)	117 (4.61)	123.9 (4.88)
24" Top/Bottom	585.20 (23.04)	352.80 (13.89)	75 (2.95)	130 (5.12)	113.4 (4.47)
24" Vesa	585.20 (23.04)	352.80 (13.89)	75 (2.95)	117 (4.61)	123.9 (4.88)

Figure 26 - On-Machine PCs and Monitors with Handles



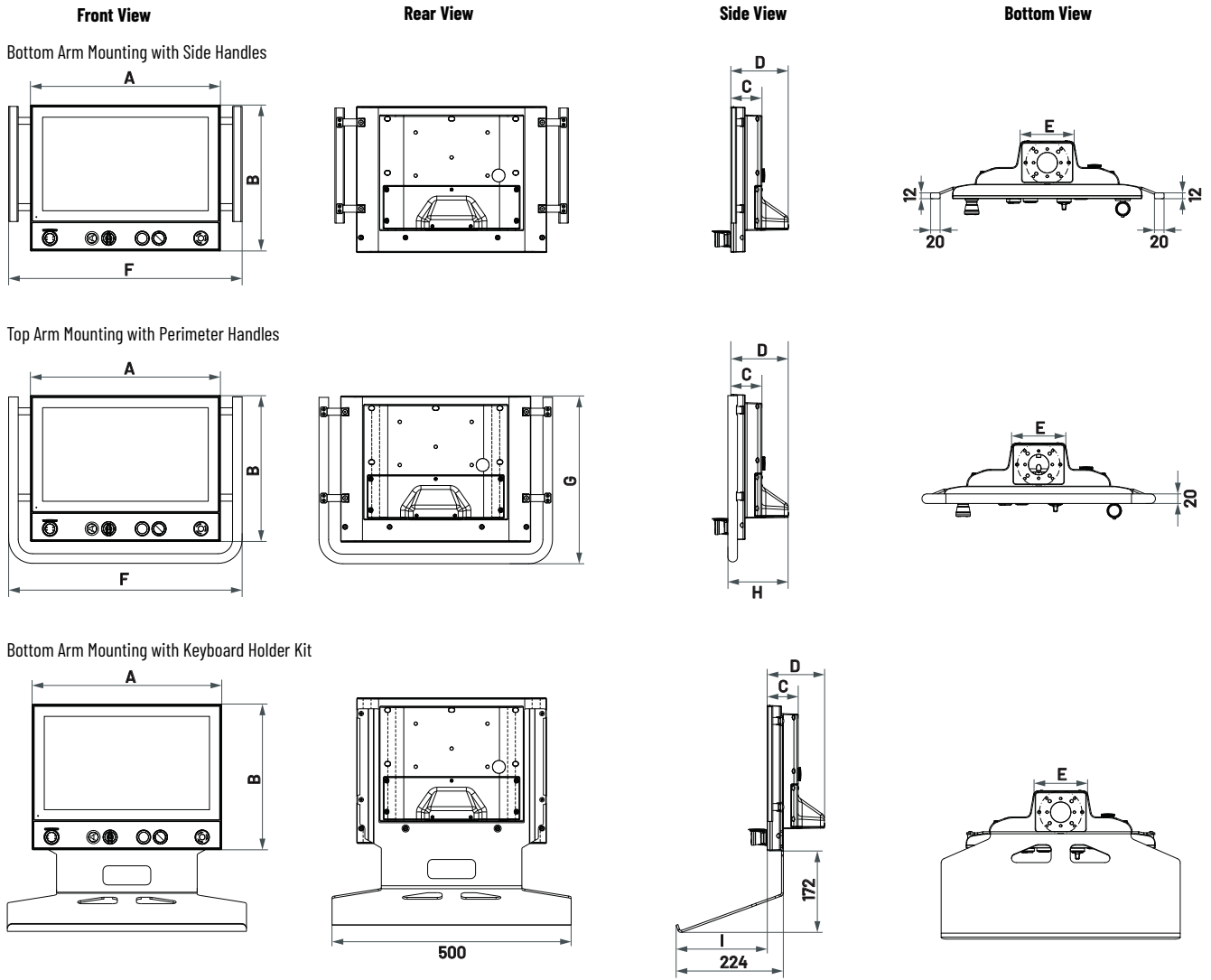
LCD and Mounting	F With Perimeter or Side Handles [mm (in.)]	G With Perimeter Handle Only [mm (in.)]	H With Perimeter Handle Only [mm (in.)]	I With Keyboard Holder Kit Only [mm (in.)]
15.6" Top/Bottom	487 (19.17)	291.3 (11.47)	126 (4.96)	190 (7.48)
15.6" Vesa	487 (19.17)	291.3 (11.47)	114 (4.49)	190 (7.48)
18.5" Top/Bottom	552.5 (21.75)	328 (12.91)	132 (5.2)	184 (7.24)
18.5" Vesa	552.5 (21.75)	328 (12.91)	119 (4.69)	184 (7.24)
21.5" Top/Bottom	619.5 (24.39)	366 (14.41)	136 (5.35)	180 (7.1)
21.5" Vesa	619.5 (24.39)	366 (14.41)	123 (4.84)	180 (7.1)
24" Top/Bottom	675.9 (26.61)	398 (15.67)	136 (5.35)	180 (7.1)
24" Vesa	675.9 (26.61)	398 (15.67)	123 (4.84)	180 (7.1)

Figure 27 - On-Machine PCs and Monitors with Button Area and without Handles



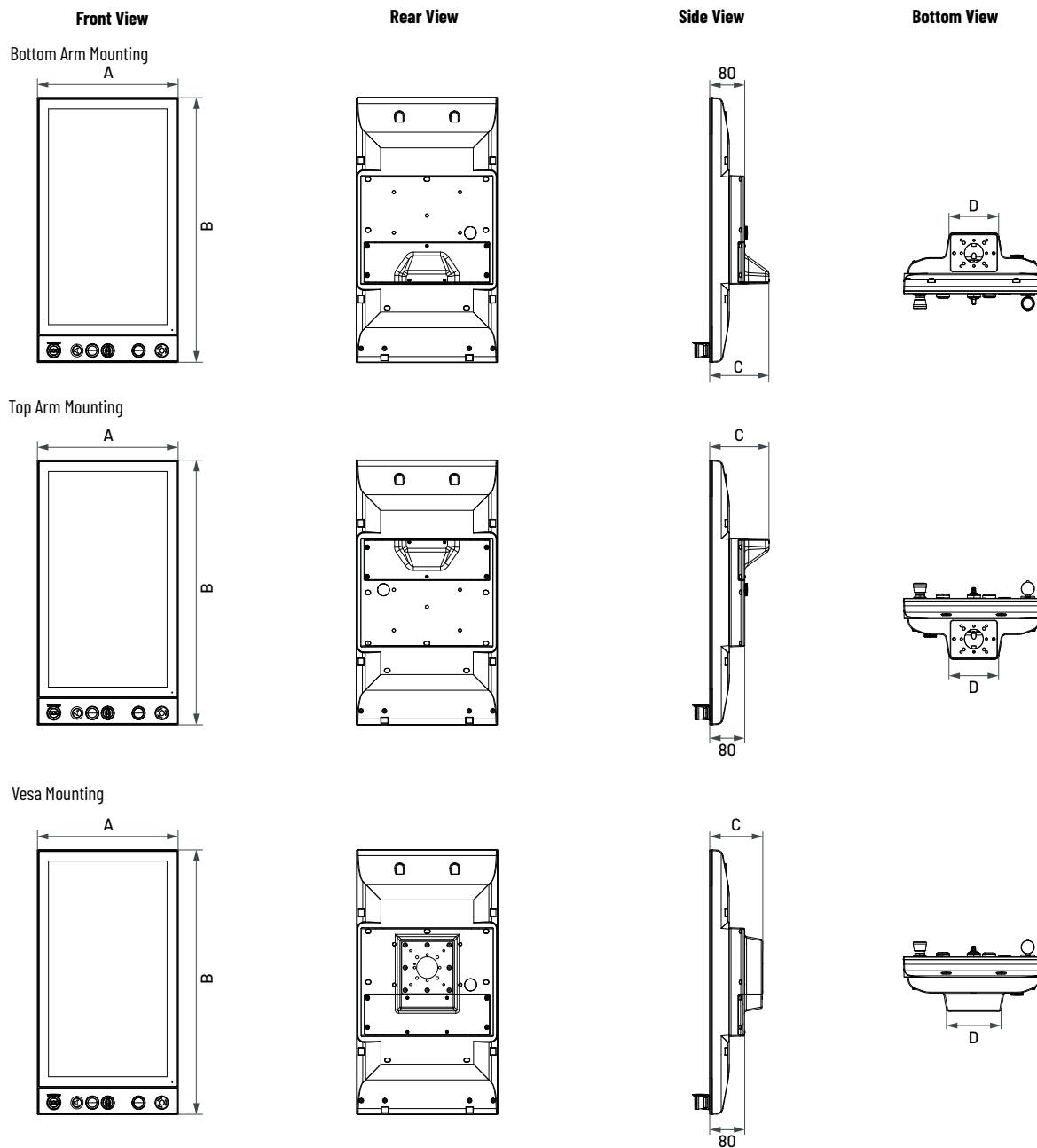
LCD and Mounting	A [mm (in.)]	B [mm (in.)]	C [mm (in.)]	D [mm (in.)]	E [mm (in.)]
15.6" Top/Bottom	396.3 (15.6)	304.3 (11.98)	65 (2.56)	120 (4.72)	113.4 (4.47)
15.6" Vesa	396.3 (15.6)	304.3 (11.98)	65 (2.56)	107 (4.21)	123.9 (4.88)
18.5" Top/Bottom	461.80 (18.18)	341 (13.43)	71 (2.8)	126 (4.96)	113.4 (4.47)
18.5" Vesa	461.80 (18.18)	341 (13.43)	71 (2.8)	113 (4.45)	123.9 (4.88)
21.5" Top/Bottom	528.80 (20.82)	378.7 (14.91)	75 (2.95)	130 (5.12)	113.4 (4.47)
21.5" Vesa	528.80 (20.82)	378.7 (14.91)	75 (2.95)	117 (4.61)	123.9 (4.88)
24" Top/Bottom	585.20 (23.04)	411.3 (16.19)	75 (2.95)	130 (5.12)	113.4 (4.47)
24" Vesa	585.20 (23.04)	411.3 (16.19)	75 (2.95)	117 (4.61)	123.9 (4.88)

Figure 28 - On-Machine PCs and Monitors with Button Area and Handles



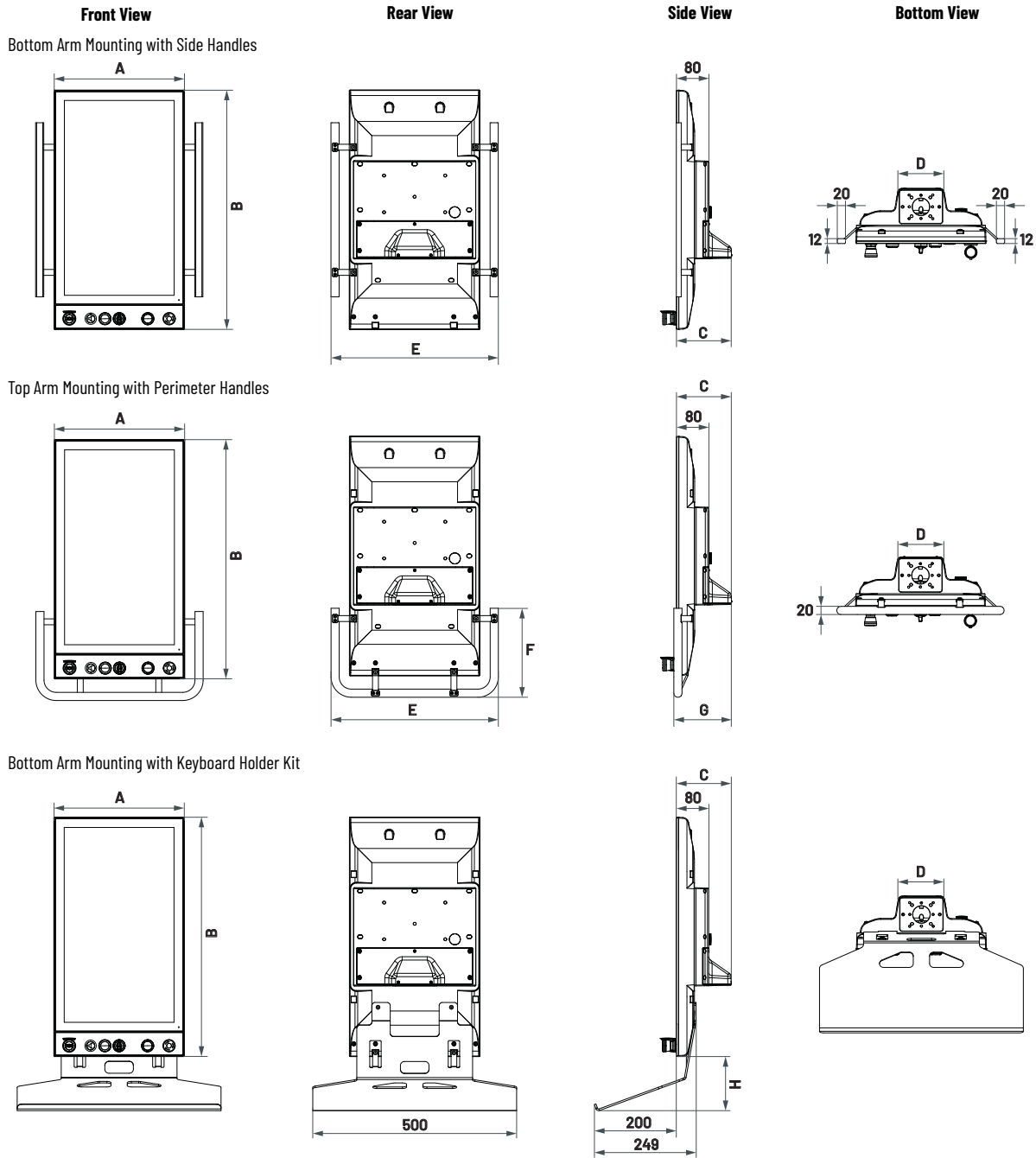
LCD and Mounting	F (Perimeter Handle or Side Handles) [mm (in.)]	G (Perimeter Handle Only) [mm (in.)]	H (Perimeter Handle Only) [mm (in.)]	I (Keyboard Holder Kit Only) [mm (in.)]
15.6" Top/Bottom	487 (19.17)	350 (13.78)	126 (4.96)	190 (7.48)
15.6" Vesa	487 (19.17)	350 (13.78)	114 (4.49)	190 (7.48)
18.5" Top/Bottom	552.5 (21.75)	384 (15.12)	132 (5.2)	184 (7.24)
18.5" Vesa	552.5 (21.75)	384 (15.12)	119 (4.69)	184 (7.24)
21.5" Top/Bottom	619.5 (24.39)	424 (16.69)	136 (5.35)	180 (7.1)
21.5" Vesa	619.5 (24.39)	424 (16.69)	123 (4.84)	180 (7.1)
24" Top/Bottom	676 (26.61)	456 (17.95)	136 (5.35)	180 (7.1)
24" Vesa	676 (26.61)	456 (17.95)	123 (4.84)	180 (7.1)

Figure 29 - On-Machine PCs and Monitors with Button Area and without Handles



LCD and Mounting	A [mm (in.)]	B [mm (in.)]	C [mm (in.)]	D [mm (in.)]
21.5" Bottom	320 (12.6)	587 (23.11)	136 (5.35)	113.5 (4.47)
21.5" Top	320 (12.6)	587 (23.11)	136 (5.35)	113.5 (4.47)
21.5" Vesa	320 (12.6)	587 (23.11)	121 (4.76)	124 (4.88)
24" Bottom	353 (13.9)	644 (25.35)	136 (5.35)	113.5 (4.47)
24" Top	353 (13.9)	644 (25.35)	136 (5.35)	113.5 (4.47)
24" Vesa	353 (13.9)	644 (25.35)	121 (4.76)	124 (4.88)

Figure 30 - On-Machine PCs and Monitors with Button Area and Handles



LCD and Mounting	E (Perimeter Handle or Side Handles) [mm (in.)]	F (Perimeter Handle Only) [mm (in.)]	G (Perimeter Handle Only) [mm (in.)]	H (Keyboard Holder Kit Only) [mm (in.)]
21.5" Bottom	410 (16.14)	218 (8.58)	142 (5.6)	133 (5.24)
21.5" Top	410 (16.14)	218 (8.58)	142 (5.6)	133 (5.24)
21.5" Vesa	410 (16.14)	218 (8.58)	127 (5)	133 (5.24)
24" Bottom	443 (17.44)	246.5 (9.71)	142 (5.6)	132 (5.2)
24" Top	443 (17.44)	246.5 (9.71)	142 (5.6)	132 (5.2)
24" Vesa	443 (17.44)	246.5 (9.71)	127 (5)	132 (5.2)

Button Area Considerations

For On-Machine PCs and monitors with button areas, the size of the button area and the type of button element determine how many elements you can configure and their placement.



Button configurations are defined in ProposalWorks™. We are always adding new combinations. Contact your local distributor or Rockwell Automation representative for the most current combinations.

Button area elements are available in the following configurations.

- Position - cable (PC): hard-wired cable elements
- Position - USB (PU): USB-wired elements

Dimension	Available Positions in Button Area	Maximum Element Configurations
15.6 in.	9	1 x E-stop 8 x PC elements 2 x PU elements
18.5 in.	11	
21.5 in.	13	
24 in.	13	

Available Hard-Wired Elements

The hard-wired cable elements (PC) can be configured as follows:

- A (PC) connects to a 6-contact termination on the back of the device, which is accessible after you remove the cover.
- You can substitute a (PC) element with any other hard-wired element.
- You can add (PC) elements to the product catalog number where a (PC) position/slot is available.



NC = Normally closed

NO = Normally open

Identifier	Description	Element
LW	Signal indicator – white translucent	
LR	Signal indicator – red translucent	
LY	Signal indicator – yellow translucent	
LG	Signal indicator – green translucent	
LB	Signal indicator – blue translucent	
PE	Push button – opaque gray 1NC+1NO	
PK	Push button – opaque protrudent black 1NC+1NO	
BK	Push button – opaque black 2NC	
PM	Push button – mushroom, head black, rotating unlock 2NC	
ZZ	Buzzer	
EN	Encoder incremental 30 detent positions, unconstrained rotation, tactile push button switch – A/B coding, 24V DC	
PC	Position - cable connected to internal terminal block for future installation of signal indicators and commands with terminals	

Identifier	Description	Element
PW	Push button illuminated – white 1NC+1NO	
BW	Push button illuminated – white 2NO	
PR	Push button illuminated – red 1NC+1NO	
BR	Push button illuminated – red 2NO	
PY	Push button illuminated – yellow 1NC+1NO	
BY	Push button illuminated – yellow 2NO	
PG	Push button illuminated – green 1NC+1NO	
BG	Push button illuminated – green 2NO	
PB	Push button illuminated – blue 1NC+1NO	
BB	Push button illuminated – blue 2NO	
CL	Custom label push button with lens set – 1NC+1NO	
CN	Custom label push button with lens set – 2NO	
S1	Selector switch – latching, 1 x 90° right rotating, 1NC+1NO	
S2	Selector switch – latching, 2 x 60° rotating, 2NO	
S3	Selector switch – momentary, 2 x 40° rotating, 2NO	
S4	Selector switch – momentary, 1 x 40° right rotating, 1NC + 1NO	
S5	Selector switch – latching, 1 x 90° rotating angle V-shape, 1NC + 1NO	
K1	Keyswitch – momentary, 2 x 40°, key removal in 0, 2NO	
K2	Keyswitch – latching 1 x 90°, key removal in 0 and in 1, 1NC+1NO	
K3	Keyswitch – momentary 1 x 40° right, key removal in 0, 1NC+1NO	
K5	Keyswitch – latching, 2 x 90°, 2NO, key removal in 0	
K6	Keyswitch – latching 2 x 90°, 2NO, key removal in 0, 1, 2	
K7	Keyswitch – latching 2 x 90°, 2NC, key removal in 0, 1, and 2	
K4	Keyswitch – latching 1 x 90°, key removal in 0, 2NO	




Available USB-Wired Elements

A (PU) element connects to a USB port on the back of the device, which is accessible after you remove the cover.

- You can substitute a (PU) element with any other USB-wired element.
- You can add (PU) elements to the product catalog number where a (PU) position/slot is available.





RFID elements have the following requirements:

- Two positions/slots are required for one RFID element.
- The position/slot located to the right of the RFID element must be empty.

Identifier	Description	Element
US	USB 2.0 with protection cap	
R1	RFID read/write LF 125 kHz Q5 with USB interface, serial protocol	
R2	RFID read/write HF 13.56 MHz ISO 14443A and ISO 15693 with USB interface, serial protocol	
R3	RFID read/write LF 125 kHz Q5 with USB interface, with keyboard emulation	
R4	RFID read/write HF 13.56 MHz ISO 14443A and ISO 15693 with USB interface, with keyboard emulation	
PU	Position cable for USB for future installation of commands with USB interface - RFID, USB	

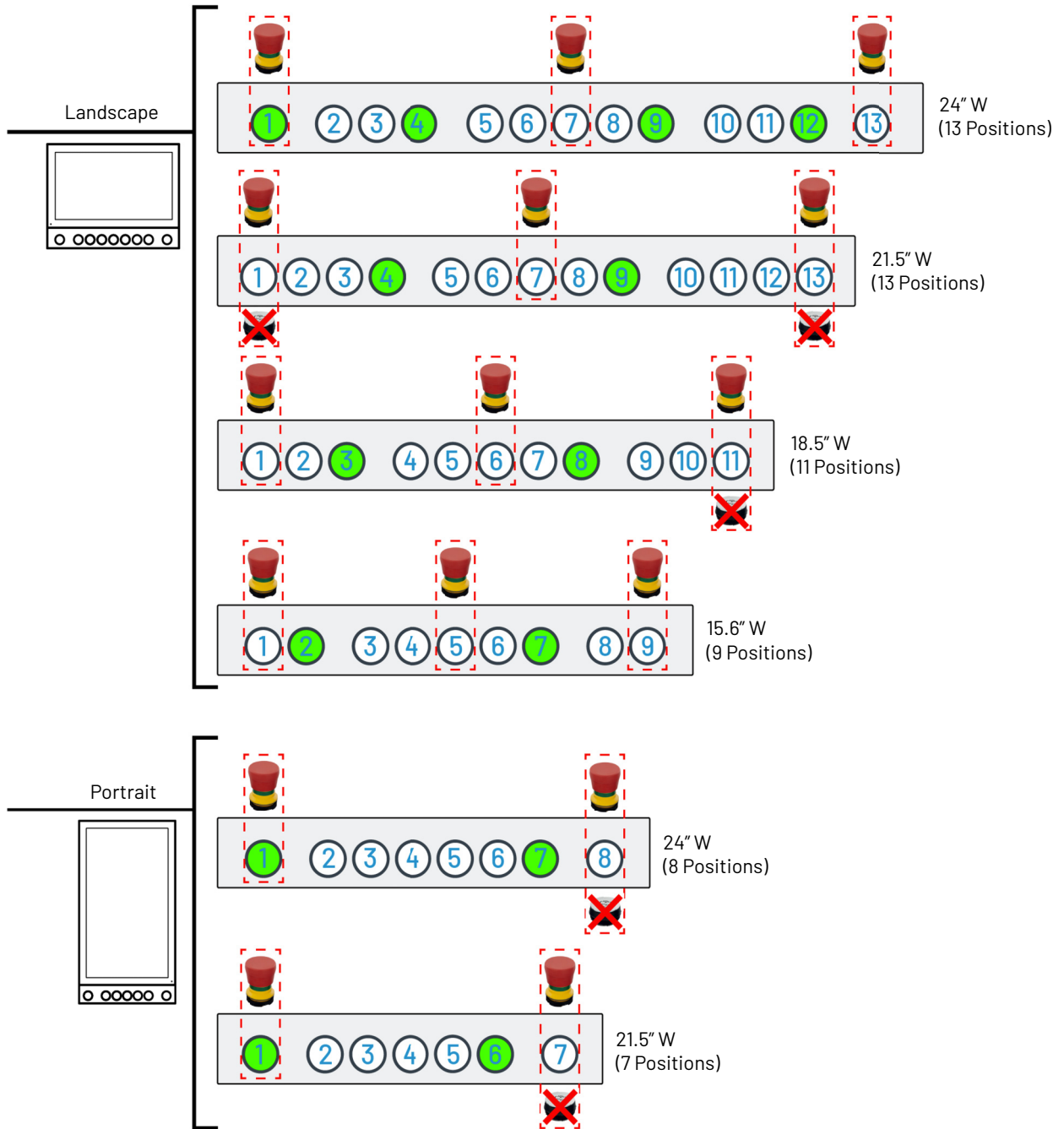
Available E-stop Buttons




The following E-stop elements are available. E-stop buttons are hard-wired and connect to the 8-contact terminations, which are accessible after you remove the cover.

Identifier	Description	Element
ES	E-stop rotating unlock – 2NC for safety controller or safety relay + 1NO	
E1	E-stop traction unlock – for safety controller + 1 NO	
E2	E-stop traction unlock – 2NC for safety relay + 1 red LED	
E3	E-stop traction unlock – for safety controller + 1 red LED	
E4	E-stop traction unlock – for safety relay + 1 white LED	
E5	E-stop traction unlock – for safety controller + 1 white LED	

Guidelines for RFID and E-stop Elements

RFID and E-stop elements can be configured as follows.






- Notes:
-  Indicates a location that supports an E-stop element
 -  Indicates a position that does not support an RFID element
 -  Indicates a position that supports an RFID element and allows another element to be installed directly to the right of the RFID element

Available ATX Power Switches

The 6300PA On-Machine PCs support ATX switches.

- The ATX elements are hard-wired and directly connected to the motherboard.
- You can substitute an ATX switch with any other ATX switch.
- You can only configure one ATX switch on those products that support ATX switches.
- When you configure your system, first select the ATX option in the power options of the base configuration. You can then select the ATX element for the button area.

Identifier	Description	Element
X1	ATX mode power supply – non-illuminated protrudent black button, wired (6300PA only)	
X2	ATX mode power supply – non-illuminated gray button, wired (6300PA only)	
X3	ATX power supply mode – keylock momentary 1 x 40deg right, key removal in 0, wired (6300PA only)	

Available Empty Space Elements

The empty space (NN), hard-wired cable (PC), and USB-wired cable (PU) positions look the same on the button area – no element is visible from the outside.

You cannot configure an element to be in an empty (NN) position.

Additional Resources

These documents contain additional information concerning related products from Rockwell Automation. You can view or download publications at rok.auto/literature.

Resource	Description
ASEM 6300 On-Machine User Manual, publication 6300-UM002	Provides information on how to install, connect, operate, and troubleshoot ASEM On-Machine 6300MA monitors and 6300PA panel PCs.
ASEM 6300 On-Machine Monitors and On-Machine Panel PCs, publication 6300-IN001	Provides installation requirements and guidance to install optional accessories, connect power, connect peripheral cables, and mount an ASEM On-Machine monitor or ASEM On-Machine panel PC.
ASEM 6300B Machine Mount Box PCs, publication 6300B-IN003	Provides installation instructions for ASEM 6300B-MM industrial computer.
ASEM 6300V On-Machine Accessories, publication 6300V-PC005	Provides a list of available accessories for ASEM 6300 On-Machine monitors and panel PCs.
ProposalWorks™ configuration software, rok.auto/systemtools	Helps configure complete, valid catalog numbers and build complete quotes based on detailed product information.
Product Certifications website, rok.auto/certifications	Provides declarations of conformity, certificates, and other certification details.

Notes:

6189V Industrial Keyboard and Pointing Device Accessories

The following accessories are available for box PCs, panel PCs, and thin clients.



6189V Industrial Keyboard and Pointing Device Accessories

Catalog Number	Description of Connection Port	Operating Temperature Range	Power Required at 5V	Cable Length [m (ft)]	Weight [lb (kg)]
6189V-HPMOUSE	Pointing device, SS ⁽¹⁾ (PS/2™)	-20...+60 °C (-4...+140 °F)	35 mA	3 (10)	0.57 (1.25)
6189V-HPMOUSEP	Panel-mount pointing device, SS (PS/2)				
6189V-HPMOUSEPU	Panel-mount pointing device, SS (USB)				
6189V-HPMOUSEU	Desktop mouse, SS (USB)				
6189V-KBDEPCTIU	Desktop keyboard with pointing device, PC ⁽²⁾ (USB)				
6189V-KBDEPPIUC	Desktop keyboard with pointing device, PC (USB)	-20...+60 °C (-4...+140 °F)	235 mA	3 (10)	0.9 (2)
6189V-KBDEPS1	Desktop keyboard with pointing device, SS (PS/2)				
6189V-KBDEPSIU	Desktop keyboard with pointing device, SS (USB)				
6189V-KBPEPS1	Panel-mount keyboard with pointing device, SS (PS/2)		35 mA		
6189V-KBPEPSIU	Panel-mount keyboard with pointing device, SS (USB)				
6189V-MOUSEU	Fully sealed, waterproof optical mouse, PC (USB)	0...50 °C (32...122 °F)	100 mA	1.6 (5.25)	0.1 (0.2)

(1) SS = stainless-steel
 (2) PC = polycarbonate

6189X Accessories for 6181X Industrial Computers in Hazardous Locations

The following accessories are available for box PCs, panel PCs, and thin clients in hazardous locations.

6189X Accessories for 6181X Industrial Computers in Hazardous Locations ⁽¹⁾

Accessory	Catalog Number	Description
Book mount bracket	6189V-B00KBRKT	Metal bracket for book mount installation of 6181X Series J non-display models Includes 8 mounting screws
DDR4 SO-DIMM RAM	6189X-16GDDR4	1 x 16 GB
	6189X-32GDDR4	2 x 16 GB
	6189X-64GDDR4	2 x 32 GB
CFast card	6189X-64GCFAST	64 GB CFast card
Solid-state drive (SSD), supports SATA3	6189X-256GBSSD3	256 GB SSD
	6189X-512GBSSD	512 GB SSD
	6189X-1TBSSD	1 TB SSD
Mounting clips	6189X-MCLPS	10 replacement mounting clips
PCI riser card	6189X-PCIRISER	PCI riser card
Sun shield	6189X-SUNSHIELD	Attachment to protect an integrated display from exposure to direct sunlight, 251 x 343.1 mm (10.12 x 13.50 in.)

(1) For a complete list of accessories and accessory installation instructions, see Accessories for Industrial Computers and Thin Clients for Hazardous Locations, Series J Product Information, publication [6181X-PC002](#).

IMPORTANT The temperature between the sun shield and the display cannot exceed the maximum temperature of the display, which is 55 °C (131 °F). Adequately ventilate the sun shield to help prevent excess heat rise on the integrated display. For custom, fold-able sun shields, adequate ventilation must still be maintained to keep the temperature in front of the display at a maximum 55 °C (131 °F).

6200V Accessories

The following 6200V accessories are available for use with any industrial computer.

6200V Accessories

Catalog Number	Description
6200V-DPVGA2	Adapter Cable, DisplayPort to VGA, 15 cm (6 in.)
6200V-DPDVI2	Adapter Cable, DisplayPort to DVI-D Active adapter, 15 cm (6 in.)
6200V-DPHDMI4K	Adapter Cable, DisplayPort to HDMI 4K, 15 cm (6 in.)
6200V-MDP2HDMI4K	Adapter Cable, Mini-DisplayPort to HDMI 4K, 15 cm (6 in.)
6200V-MDP2DP	Adapter Cable, Mini-DisplayPort to DP, 15 cm (6 in.)
6200V-DPDVICBL2M	Cable, DisplayPort to DVI-D, 2 m (6.56 ft)
6200V-DPCBL2M	Cable, DisplayPort to DisplayPort, 2 m (6.56 ft)
6200V-DVICBL2M	Cable, DVI-D to DVI-D, 2 m (6.56 ft)
6200V-VGACBL2M	Cable, VGA to VGA, 2 m (6.56 ft)
6200V-USBCBL2M	Cable, USB touchscreen, 2 m (6.56 ft)
6200V-MPS4	Power Supply, 24V DC/90W
6200V-MPS6	Power Supply, 24V DC/40W

6300V Accessories

The following accessories are available for box PCs, panel PCs, thin clients, and On-Machine™ panel PCs.

Remote Video Link Cable Accessories

Catalog Number	Cable Length	Description
6300V-15RVLFIXED	15 m (49.20 ft)	Cat 5e shielded and foiled with unshielded twisted-pair (SF/UTP) cable for fixed laying
6300V-20RVLFIXED	20 m (65.60 ft)	
6300V-30RVLFIXED	30 m (98.40 ft)	
6300V-40RVLFIXED	40 m (131.20 ft)	
6300V-50RVLFIXED	50 m (164 ft)	
6300V-100RVLFIXED	100 m (328 ft)	
6300V-5RVLFLEX	5 m (16.40 ft)	Cat 5e SF/UTP cable for not-guided flex laying
6300V-10RVLFLEX	10 m (32.80 ft)	
6300V-15RVLFLEX	15 m (49.20 ft)	
6300V-20RVLFLEX	20 m (65.60 ft)	
6300V-25RVLFLEX	25 m (82 ft)	
6300V-30RVLFLEX	30 m (98.40 ft)	
6300V-35RVLFLEX	35 m (114.80 ft)	
6300V-40RVLFLEX	40 m (131.20 ft)	
6300V-45RVLFLEX	45 m (147.60 ft)	
6300V-50RVLFLEX	50 m (164 ft)	

Remote Video Link Transmitter/Receiver Box Accessories

Catalog Number	Description
6300V-RVLDV-TX	6300V remote video link (RVL) transmitter box
6300V-RVLDV-RX	6300V remote video link (RVL) receiver box

Remote Video Link Accessories Location Categories for Hazardous Locations – Transmitter

Region	Rating	Temperature Class	Ambient Temperature Range	Storage Temperature
United States	Class I, Division 2, Groups A,B,C,D	T5	0 °C ≤ Ta ≤ 50 °C 32°F ≤ Ta ≤ 122 °F	-5 °C...+50 °C 23°F ≤ Ta ≤ +122 °F
Canada				

Remote Video Link Accessories Location Categories for Hazardous Locations – Receiver

Region	Rating	Temperature Class	Ambient Temperature Range	Storage Temperature
United States	Class I, Division 2, Groups A,B,C,D	T5	0 °C ≤ Ta ≤ 50 °C 32°F ≤ Ta ≤ 122 °F	-5 °C...+60 °C 23°F ≤ Ta ≤ +140 °F
Canada				

Video Accessories

Catalog Number	Cable Length	Description
6300V-DP DVI-KIT	20 cm (7.87 in.)	DisplayPort to DVI-D (F) passive adapter
6300V-2MDPDVI-KIT	2 m (6.56 ft)	DisplayPort to DVI-D (M/M)/USB 2.0 with ferrite beads
6300V-5MDPDVI-KIT	5 m (16.4 ft)	
6300V-2MDPUSB-KIT	2 m (6.56 ft)	DisplayPort/USB 2.0
6300V-3MDPUSB	3 m (9.84 ft)	
6300V-5MDPUSB-KIT	5 m (16.4 ft)	DisplayPort/USB 2.0 with ferrite beads

Video Accessories (Continued)

Catalog Number	Cable Length	Description
6300V-50CMDVIDUSB	0.5 m (1.64 ft)	DVI-D/USB 2.0 with ferrite beads
6300V-1MDVIDUSB	1 m (3.28 ft)	
6300V-2MDVIDUSB-KIT	2 m (6.56 ft)	
6300V-3MDVIDUSB-KIT	3 m (9.84 ft)	
6300V-5MDVIUSB	5 m (16.4 ft)	
6300V-7MDVIDUSB-KIT	7 m (23 ft)	
6300V-11MDVIDUSB-KIT	11 m (36.1 ft)	

Storage Accessories

Catalog Number	Description
6300V-CFASTT30	30 GB CFast SATA III Ext. Temp. 3D TLC
6300V-CFASTT60	60 GB CFast SATA III Ext. Temp. 3D TLC
6300V-CFASTT120	120 GB CFast SATA III Ext. Temp. 3D TLC
6300V-CFASTT240	240 GB CFast SATA III Ext. Temp. 3D TLC
6300V-512SSD25TR	512 GB SSD 2.5 in. SATA III Ext. Temp. 3D TLC

DC Power Connector Replacement Kits

Catalog Number	Description	For Use With
6300V-DCCONN	DC power connector replacement Note: PCs and monitors ship with the necessary power connectors.	6300B-xxA 6300T-BA 6300M 6300MA 6300PA 6300B-EW1 6300P-EW1
6300V-DCCONN2		6300B-BMB 6300B-JB1 6300B-PBC 6300P-xxxA, B, J, E, F
6300V-DCCONN3		6300B-PBD
6300V-DCCONN4		6300B-xxF 6300B-xxN 6300T-BB

Mounting and PCI Accessories

Catalog Number	Description	For Use With
6300V-BBOOKN	Book mount installation bracket	6300B-xxN 6300T-BB
6300V-BDINA	DIN rail mount kit	6300B-xxA 6300T-BA
6300V-BDINN	DIN rail mount installation bracket	6300B-xxN 6300T-BB
6300V-BWALLA	Wall mount kit	6300B-xxA 6300T-BA
6300V-MCLIP16	Mounting clip replacement kit	6300M-xxxA 6300M-xxdD 6300P
6300V-PCIRISER	PCI riser card	6300B-PBC 6300P-xxxA, B, J, E, F

6300V On-Machine Accessories

On-Machine™ systems have the following accessories.

Accessories for Button Areas

Accessory	Description
Handles	Side or perimeter handles
Keyboard holders	Secures a keyboard to equipment Note: keyboard holders cannot be installed with perimeter handles

For a complete list of On-Machine accessories, including button area elements and corresponding catalog numbers, see ASEM™ 6300V On-Machine Accessories, publication [6300V-PC005](#).

Additional Resources

These documents contain additional information concerning related products from Rockwell Automation. You can view or download publications at rok.auto/literature.

Resource	Description
ASEM 6300 RVL Receiver and RVL Transmitter, publication 6300V-UM001	Provides information on how to install, connect, operate, and troubleshoot ASEM RVL 6300V-RVLDV-RX receivers and ASEM RVL 6300V-RVLDV-TX transmitters.
Storage Drive Installation Kit, publication 6300V-IN001	Provides instructions to install a storage drive into ASEM 6300B-BMBx, 6300B-PBCx, 6300P-xxxA/B/E/F, and 6300B-PBDx industrial computers.
ASEM Wall-mount and DIN rail brackets for 6300B Box PCs and 6300T Box Thin Clients Installation Instructions, publication 6300V-IN002	Provides information on how to install wall and DIN rail mount brackets for various ASEM 6300B box PCs and ASEM 6300T thin clients.
ASEM 6300 DC Connector Assemblies and Replacement Mounting Clips Installation Instructions, publication 6300V-IN003	Provides information on how to install a connector assembly for DC-powered ASEM 6300 PCs and ASEM 6300 monitors, and to install replacement mounting clips for ASEM 6300P panel PCs and ASEM 6300M panel monitors.
ASEM 6300V Remote Video Link Receiver Installation Instruction, publication 6300V-IN004	Provides installation steps to connect an RVL receiver to other ASEM components.
ASEM Remote Video Link Transmitter for 6300B Box PCs and 6300T Box Thin Clients, publication 6300V-IN005	Provides information to install, mount, and connect an ASEM 6300V-RVLDV-TX RVL transmitter.
ASEM 6300V CFast Solid-state Storage Drive (SSD) Installation Instructions, publication 6300V-IN006	Provides installation instructions, removal steps, and technical data for a 6300V C-Fast SSD cards.
PCI Riser Card Installation Instructions, publication 6300V-IN007	Provides instruction for installing a 6300V-PCIRISER PCI riser card into an ASEM 6300B or 6300P industrial PC.
Accessories for ASEM 6300 Industrial PCs and Industrial Monitor, publication 6300V-PC001	Provides a list of available adapter and cable accessories for ASEM 6300 industrial PCs and 6300 industrial monitors.
ASEM 6300V Replacement Kits, publication 6300V-PC004	Provides a list of available DC power connector and mounting clip replacement kits for various ASEM products and installation instructions.
ASEM 6300V On-Machine Accessories, publication 6300V-PC005	Provides a list of available accessories for ASEM 6300 On-Machine monitors and panel PCs.
Accessories for Industrial Computers for Hazardous Locations, Series J, publication 6181X-PC002	Provides accessory information for the Series J Industrial Computers for Hazardous Locations.
Industrial Computers and Thin Clients for Hazardous Locations, Series J Installation Instructions, publication 6181X-IN003	Provides information on how to install Series J Industrial Computers and Thin Clients for Hazardous Locations.

Additional Resources – Document Summary

These documents contain additional information concerning related products from Rockwell Automation. You can view or download publications at rok.auto/literature.

Resource	Description
Box PCs and Thin Clients	
6300B-EW1 Box PC and 6300P-EW1 Panel PC User Manual, publication 6300-UM003	Provides information on how to install, connect, operate, and troubleshoot 6300B-EW1 Box PCs and 6300P-EW1 Panel PCs.
ASEM 6300B Book Mount Box PCs and 6300T Book Mount Box Thin Clients User Manual, publication 6300B-UM001	Provides information on how to install, connect, operate, and troubleshoot ASEM 6300B-BMA and 6300B-BMB box PCs, and 6300T-BAx1 thin clients.
ASEM 6300B Wall Mount Box PCs User Manual, publication 6300B-UM002	Provides information on how to install, connect, operate, and troubleshoot ASEM 6300B-PBC and 6300B-PBD wall mount box PCs.
ASEM 6300B Compact Box PC User Manual, publication 6300B-UM004	Provides information on how to install, connect, operate, and troubleshoot ASEM 6300B-JB1 Compact Box PCs.
ASEM 6300B-EW1 and 6300P-EW1 Entry Level Industrial Computers Installation Instructions, publication 6300-IN002	Provides installation instructions for Bulletins 6300B - 6300P, Family EW1.
ASEM 6300B Box PCs and 6300T Thin Clients, publication 6300B-IN001	Provides installation instructions for ASEM 6300B-xxA, 6300B-BMB, 6300B-xxF, 6300B-xxN, 6300T-BA box industrial PCs and 6300T-BB thin clients.
ASEM 6300B Wall Mount Box PC Installation Instructions, publication 6300B-IN002	Provides installation instructions for 6300B-PBCx and 6300B-PBDx.
6300B Machine Mount Box PCs Installation Instructions, publication 6300B-IN003	Provides installation instructions for 6300B-MM.
ASEM 6300B-JB1 Compact Box PC, publication 6300B-IN004	Provides installation instructions for Bulletin 6300B, Family JB1.
Panel PCs	
ASEM 6300P Panel PCs User Manual, publication 6300P-UM001	Provides information on how to install, connect, operate, and troubleshoot ASEM 6300P panel PCs.
ASEM 6300P DC Powered Panel PCs, publication 6300P-IN001	Provides installation instructions for ASEM 6300P industrial panel PCs.
6181X Integrated PCs and Thin Clients for Hazardous Locations	
Industrial Computers for Hazardous Locations User Manual for Series H, publication 6181X-UM002	Provides information on how to install, connect, operate, and troubleshoot Series H Industrial Computers for Hazardous Locations.
Industrial Computers for Hazardous Locations User Manual for Series J, publication 6181X-UM003	Provides information on how to install, connect, operate, and troubleshoot Series J Industrial Computers for Hazardous Locations.
Industrial Computers and Thin Clients for Hazardous Locations, Series J, publication 6181X-IN003	Provides installation instructions for Series J Industrial Computers and Thin Clients for Hazardous Locations.
Panel Monitors	
ASEM 6300M Panel Monitors User Manual, publication 6300M-UM001	Provides information on how to install, connect, operate, and troubleshoot ASEM 6300M panel monitors.
ASEM 6300M DC Powered Panel Monitors, publication 6300M-IN002	Provides installation instructions for ASEM 6300M-xxxBA and 6300M-xxxBB industrial monitors.
On-Machine Panel PCs and Monitors	
ASEM 6300 On-Machine User Manual, publication 6300-UM002	Provides information on how to install, connect, operate, and troubleshoot ASEM On-Machine 6300MA monitors and 6300PA panel PCs.
ASEM 6300 On-Machine Monitors and On-Machine Panel PCs, publication 6300-IN001	Provides installation requirements and guidance to install optional accessories, connect power, connect peripheral cables, and mount an ASEM On-Machine monitor or ASEM On-Machine panel PC.
ASEM 6300B Machine Mount Box PCs, publication 6300B-IN003	Provides installation instructions for ASEM 6300B-MM industrial computer.
Accessories	
ASEM 6300 RVL Receiver and RVL Transmitter, publication 6300V-UM001	Provides information on how to install, connect, operate, and troubleshoot ASEM RVL 6300V-RVLDV-RX receivers and ASEM RVL 6300V-RVLDV-TX transmitters
Storage Drive Installation Kit, publication 6300V-IN001	Provides instructions to install a storage drive into ASEM 6300B-BMBx, 6300B-PBCx, 6300P-xxxA/B/E/F, and 6300B-PBDx industrial computers.
ASEM Wall-mount and DIN rail brackets for 6300B Box PCs and 6300T Box Thin Clients Installation Instructions, publication 6300V-IN002	Provides information on how to install wall and DIN rail mount brackets for various ASEM 6300B box PCs and ASEM 6300T thin clients.
ASEM 6300 DC Connector Assemblies and Replacement Mounting Clips Installation Instructions, publication 6300V-IN003	Provides information on how to install a connector assembly for DC-powered ASEM 6300 PCs and ASEM 6300 monitors, and to install replacement mounting clips for ASEM 6300P panel PCs and ASEM 6300M panel monitors.
ASEM 6300V Remote Video Link Receiver Installation Instruction, publication 6300V-IN004	Provides installation steps to connect an RVL receiver to other ASEM components.
ASEM Remote Video Link Transmitter for 6300B Box PCs and 6300T Box Thin Clients, publication 6300V-IN005	Provides information to install, mount, and connect an ASEM 6300V-RVLDV-TX RVL transmitter.

Resource (Continued)	Description (Continued)
ASEM 6300V CFast Solid-state Storage Drive (SSD) Installation Instructions, publication 6300V-IN006	Provides installation instructions, removal steps, and technical data for 6300V C-Fast SSD cards.
PCI Riser Card Installation Instructions, publication 6300V-IN007	Provides instruction for installing a 6300V-PCIRISER PCI riser card into an ASEM 6300B or 6300P industrial PC.
Accessories for ASEM 6300 Industrial PCs and Industrial Monitor, publication 6300V-PC001	Provides a list of available adapter and cable accessories for ASEM 6300 industrial PCs and 6300 industrial monitors.
ASEM 6300V Replacement Kits, publication 6300V-PC004	Provides a list of available DC power connector and mounting clip replacement kits for various ASEM products and installation instructions.
ASEM 6300V On-Machine Accessories, publication 6300V-PC005	Provides a list of available accessories for ASEM 6300 On-Machine monitors and panel PCs.
Accessories for Industrial Computers for Hazardous Locations, Series J, publication 6181X-PC002	Provides accessory information for the Series J Industrial Computers for Hazardous Locations.
Industrial Computers and Thin Clients for Hazardous Locations, Series J Installation Instructions, publication 6181X-IN003	Provides information on how to install Series J Industrial Computers and Thin Clients for Hazardous Locations.
General Information	
Industrial Automation Wiring and Grounding Guidelines, publication 1770-4.1	Provides general guidelines for installing a Rockwell Automation industrial system.
ProposalWorks™ configuration software, rok.auto/systemtools	Helps configure complete and valid catalog numbers and build complete quotes based on detailed product information.
Product Certifications website, rok.auto/certifications	Provides declarations of conformity, certificates, and other certification details.

Notes:

Rockwell Automation Support

Use these resources to access support information.

Technical Support Center	Find help with how-to videos, FAQs, chat, user forums, Knowledgebase, and product notification updates.	rok.auto/support
Local Technical Support Phone Numbers	Locate the telephone number for your country.	rok.auto/phonesupport
Technical Documentation Center	Quickly access and download technical specifications, installation instructions, and user manuals.	rok.auto/techdocs
Literature Library	Find installation instructions, manuals, brochures, and technical data publications.	rok.auto/literature
Product Compatibility and Download Center (PCDC)	Download firmware, associated files (such as AOP, EDS, and DTM), and access product release notes.	rok.auto/pcdc





Documentation Feedback

Your comments help us serve your documentation needs better. If you have any suggestions on how to improve our content, complete the form at rok.auto/docfeedback.

Allen-Bradley, ASEM, expanding human possibility, FactoryTalk, On-Machine, ProposalWorks, ThinManager, and Rockwell Automation are trademarks of Rockwell Automation, Inc.
EtherNet/IP is a trademark of ODVA, Inc.
Trademarks not belonging to Rockwell Automation are property of their respective companies.
Windows is a trademark of Microsoft Corporation.

Rockwell Automation maintains current product environmental compliance information on its website at rok.auto/pec.

Rockwell Otomasyon Ticaret A.Ş. Kar Plaza İş Merkezi E Blok Kat:6 34752, İçerenköy, İstanbul, Tel: +90 (216) 5698400 EEE Yönetmeliğine Uygundur

Connect with us.    

rockwellautomation.com ————— **expanding human possibility®**

AMERICAS: Rockwell Automation, 1201 South Second Street, Milwaukee, WI 53204-2496 USA, Tel: (1) 414.382.2000

EUROPE/MIDDLE EAST/AFRICA: Rockwell Automation NV, Pegasus Park, De Kleetlaan 12a, 1831 Diegem, Belgium, Tel: (32) 2663 0600

ASIA PACIFIC: Rockwell Automation SEA Pte Ltd, 2 Corporation Road, #04-05, Main Lobby, Corporation Place, Singapore 618494, Tel: (65) 6510 6608

UNITED KINGDOM: Rockwell Automation Ltd., Pitfield, Kiln Farm, Milton Keynes, MK11 3DR, United Kingdom, Tel: (44)(1908) 838-800

Publication 6300-TD001B-EN-P - September 2024

Supersedes Publication 6300-TD001A-EN-P - June 2024

Copyright © 2024 Rockwell Automation, Inc. All rights reserved. Printed in the U.S.A.